

Classification of Finite Dimensional Modular Lie Superalgebras with Indecomposable Cartan Matrix^{*}

Sofiane BOUARROUDJ[†], Pavel GROZMAN[‡] and Dimitry LEITES[§]

[†] Department of Mathematics, United Arab Emirates University,
Al Ain, PO. Box: 17551, United Arab Emirates
E-mail: Bouarroudj.sofiane@uaeu.ac.ae

[‡] Equa Simulation AB, Stockholm, Sweden
E-mail: pavel.grozman@bredband.net

[§] Department of Mathematics, University of Stockholm,
Roslagsv. 101, Kräftriket hus 6, SE-106 91 Stockholm, Sweden
E-mail: mleites@math.su.se

Received September 17, 2008, in final form May 25, 2009; Published online June 11, 2009

doi:10.3842/SIGMA.2009.060

Abstract. Finite dimensional modular Lie superalgebras over algebraically closed fields with indecomposable Cartan matrices are classified under some technical, most probably inessential, hypotheses. If the Cartan matrix is invertible, the corresponding Lie superalgebra is simple otherwise the quotient of the derived Lie superalgebra modulo center is simple (if its rank is greater than 1). Eleven new exceptional simple modular Lie superalgebras are discovered. Several features of classic notions, or notions themselves, are clarified or introduced, e.g., Cartan matrix, several versions of restrictedness in characteristic 2, Dynkin diagram, Chevalley generators, and even the notion of Lie superalgebra if the characteristic is equal to 2. Interesting phenomena in characteristic 2: (1) all simple Lie superalgebras with Cartan matrix are obtained from simple Lie algebras with Cartan matrix by declaring several (any) of its Chevalley generators odd; (2) there exist simple Lie superalgebras whose even parts are solvable. The Lie superalgebras of fixed points of automorphisms corresponding to the symmetries of Dynkin diagrams are also listed and their simple subquotients described.

Key words: modular Lie superalgebra, restricted Lie superalgebra; Lie superalgebra with Cartan matrix; simple Lie superalgebra

2000 Mathematics Subject Classification: 17B50; 70F25

Contents

1	Introduction	2
2	Basics: Linear algebra in superspaces (from [39])	5
3	What the Lie superalgebra in characteristic 2 is (from [34])	9
4	What $\mathfrak{g}(A)$ is	11
5	Restricted Lie superalgebras	15
6	Ortho-orthogonal and periplectic Lie superalgebras	18

^{*}This paper is a contribution to the Special Issue on Kac–Moody Algebras and Applications. The full collection is available at http://www.emis.de/journals/SIGMA/Kac-Moody_algebras.html

7 Dynkin diagrams	21
8 A careful study of an example	24
9 Main steps of our classification	26
10 The answer: The case where $p > 5$	34
11 The answer: The case where $p = 5$	34
12 The answer: The case where $p = 3$	35
13 The answer: The case where $p = 2$	48
14 Table. Dynkin diagrams for $p = 2$	55
15 Fixed points of symmetries of the Dynkin diagrams	56
16 A realization of $\mathfrak{g} = \mathfrak{so}(4 4)^{(1)}/\mathfrak{c}$	58
References	61

1 Introduction

The ground field \mathbb{K} is algebraically closed of characteristic $p > 0$. (Algebraic closedness of \mathbb{K} is only needed in the quest for parametric families.) The term ‘‘Cartan matrix’’ will often be abbreviated to CM. Let the *size* of the square $n \times n$ matrix be equal to n .

Except the last section, we will only consider *indecomposable* Cartan matrices A with entries in \mathbb{K} (so the integer entries are considered as elements of $\mathbb{Z}/p\mathbb{Z} \subset \mathbb{K}$), indecomposability being the two conditions:

1. $A_{ij} = 0 \iff A_{ji} = 0$.
2. By a reshuffle of its rows and columns A can not be reduced to a block-diagonal form.

1.1 Main results

1. We clarify several key notions – of Lie superalgebra in characteristic 2, of Lie superalgebra with Cartan matrix, of weights and roots.
2. We introduce several versions of restrictedness for Lie (super)algebras in characteristic 2. These clarifications are obtained by/with A. Lebedev.
3. We give an algorithm that, under certain (conjecturally immaterial) hypotheses, see Section 9.2.5), produces the complete list of all finite dimensional Lie superalgebras possessing indecomposable Cartan matrices A , i.e., of the form $\mathfrak{g}(A)$. Our proof follows the same lines Weisfeiler and Kac outlined for the Lie algebra case in [54]. The result of application of the algorithm – the classification – is summarized in the following theorem:

Theorem (Sections 10–13).

1. *There are listed all finite dimensional Lie superalgebras (which are not Lie algebras) of the form $\mathfrak{g}(A)$ with indecomposable A over \mathbb{K} .*
2. *There are listed all inequivalent systems of simple roots (inequivalent Cartan matrices) of each of the above listed Lie superalgebras $\mathfrak{g}(A)$.*

3. For the above listed Lie superalgebras $\mathfrak{g} = \mathfrak{g}(A)$, their even parts $\mathfrak{g}_{\bar{0}}$ and the $\mathfrak{g}_{\bar{0}}$ -modules $\mathfrak{g}_{\bar{1}}$ are explicitly described in terms of simple and solvable Lie algebras and modules over them.
4. For the above listed Lie superalgebras $\mathfrak{g} = \mathfrak{g}(A)$, the existence of restrictedness is explicitly established; for $p = 2$, various cases of restrictedness are considered and explicit formulas given in each case.

The results for $p > 5$, $p = 5$, 3 and 2 are summarized in Sections 10, 11, 12 and 13, respectively.

The following simple Lie superalgebras (where \mathfrak{g} is the Lie superalgebra with Cartan matrix and $\mathfrak{g}^{(1)}/\mathfrak{c}$ is the quotient of its first derived algebra modulo the center) are new:

- 1) $\mathfrak{e}(6, 1)$, $\mathfrak{e}(6, 6)$, $\mathfrak{e}(7, 1)^{(1)}/\mathfrak{c}$, $\mathfrak{e}(7, 6)^{(1)}/\mathfrak{c}$, $\mathfrak{e}(7, 7)^{(1)}/\mathfrak{c}$, $\mathfrak{e}(8, 1)$, $\mathfrak{e}(8, 8)$; $\mathfrak{bgl}(4; \alpha)$ and $\mathfrak{bgl}(3; \alpha)^{(1)}/\mathfrak{c}$ for $p = 2$;
- 2) $\mathfrak{el}(5; 3)$ for $p = 3$;
- 3) $\mathfrak{brj}(2; 5)$ for $p = 5$.

Observe that although several of the exceptional examples were known for $p > 2$, together with one indecomposable Cartan matrix per each Lie superalgebra [17, 18, 13, 14], the complete description of all inequivalent Cartan matrices for all the exceptional Lie superalgebras of the form $\mathfrak{g}(A)$ and for ALL cases for $p = 2$ is new.

A posteriori we see that for each finite dimensional Lie superalgebra $\mathfrak{g}(A)$ with indecomposable Cartan matrix, the module $\mathfrak{g}_{\bar{1}}$ is a completely reducible $\mathfrak{g}_{\bar{0}}$ -module¹.

Fixed points of the symmetries of Dynkin diagrams

We also listed the Lie superalgebras of fixed points of automorphisms corresponding to the symmetries of Dynkin diagrams and described their simple subquotients. In characteristic 0, this is the way all Lie algebras whose Dynkin diagrams has multiple bonds (roots of different lengths) are obtained. Since, for $p = 2$, there are no multiple bonds or roots of different length (at least, this notion is not invariant), it is clear that this is the way to obtain something new, although, perhaps, not simple. Lemma 2.2 in [23] implicitly describes the ideal in the Lie algebra of fixed points of an automorphism of a Lie algebra, but one still has to describe the Lie algebra of fixed points explicitly. This explicit answer is given in the last section. No new simple Lie (super)algebras are obtained.

1.1.1 On simple subquotients of Lie (super)algebras of the form $\mathfrak{g}(A)$ and a terminological problem

Observe that if a given indecomposable Cartan matrix A is invertible, the Lie (super)algebra $\mathfrak{g}(A)$ is simple, otherwise $\mathfrak{g}(A)^{(i)}/\mathfrak{c}$ – the quotient of its first (if $i = 1$) or second (if $i = 2$) derived algebra modulo the center – is simple (if $\text{size}A > 1$). *Hereafter in this situation* $i = 1$ or 2; meaning that the chain of derived algebras stabilizes ($\mathfrak{g}(A)^{(j)} \simeq \mathfrak{g}(A)^{(i)}$ for any $j \geq i$). We will see *a posteriori* that $\dim \mathfrak{c} = i = \text{corank } A$, the maximal possible value of i above.

This simple Lie algebra $\mathfrak{g}(A)^{(i)}/\mathfrak{c}$ does NOT possess any Cartan matrix. Except for Lie algebras over fields of characteristic $p = 0$, this subtlety is never mentioned causing confusion: The conventional sloppy practice is to refer to the simple Lie (super)algebra $\mathfrak{g}(A)^{(i)}/\mathfrak{c}$ as “possessing a Cartan matrix” (although it does not possess any) and at the same time to say “ $\mathfrak{g}(A)$ is simple” whereas it is not. However, it is indeed extremely inconvenient to be completely correct,

¹For the *simple* subquotient $\mathfrak{g} = \mathfrak{g}(A)^{(i)}/\mathfrak{c}$ of $\mathfrak{g}(A)$, where $i = \text{corank } A$ is equal to 1 or 2, complete reducibility of the $\mathfrak{g}_{\bar{0}}$ -module $\mathfrak{g}_{\bar{1}}$ is sometimes violated.

especially in the cases where $\mathfrak{g}(A)$, as well as its simple subquotient $\mathfrak{g}(A)^{(i)}/\mathfrak{c}$, and a central extension of the latter, the algebra $\mathfrak{g}(A)^{(i)}$, or all three at the same time might be needed. So we suggest to refer to either of these three algebras as “simple” ones, and extend the same convention to Lie superalgebras.

Thus, for $i = 1$, there are three distinct Lie (super)algebras: $\mathfrak{g}(A)$ with Cartan matrix, $\mathfrak{g}(A)^{(1)}$ its derived, and $\mathfrak{g}(A)^{(1)}/\mathfrak{c}$ which is simple. It sometimes happens that the three versions are needed at the same time and to appropriately designate them is a non-trivial task dealt with in Section 4. When the second derived of $\mathfrak{g}(A)$ is not isomorphic to the first one, i.e., when $i = 2$, there are even more intermediate derived objects, but fortunately only the three of them – $\mathfrak{g}(A)$ with Cartan matrix, $\mathfrak{g}(A)^{(2)}$, and $\mathfrak{g}(A)^{(2)}/\mathfrak{c}$, the quotient modulo the whole center – appear (so far) in applications.

1.1.2 The Elduque Supermagic Square

For $p > 2$, Elduque interpreted most of the exceptional (when their exceptional nature was only conjectured; now this is proved) simple Lie superalgebras (of the form $\mathfrak{g}(A)$) in characteristic 3 [14] in terms of super analogs of division algebras and collected them into a Supermagic Square (an analog of Freudenthal’s Magic Square). The rest of the exceptional examples for $p = 3$ and $p = 5$, not entering the Elduque Supermagic Square (the ones described here for the first time) are, nevertheless, somehow affiliated to the Elduque Supermagic Square [19].

1.2 Characteristic 2

Very interesting, we think, is the situation in characteristic 2. *A posteriori* we see that the list of Lie **super**algebras in characteristic 2 of the form $\mathfrak{g}(A)$ or $\mathfrak{g}(A)^{(i)}/\mathfrak{c}$, where $i = \text{corank } A$ can be equal to either 1 or 2, with an indecomposable matrix A is as follows:

1. Take any finite dimensional Lie algebra of the form $\mathfrak{g}(A)$ with indecomposable Cartan matrix [54] and declare some of its Chevalley generators (simultaneously a positive one and the respective negative one) odd (the corresponding diagonal elements of A should be changed accordingly: $\bar{0}$ to 0 and $\bar{1}$ to 1, see Section 4.5). Let I be the vector of parities of the generators; the parity of each positive generator should equal to that of the corresponding negative one.
2. Do this for each of the inequivalent Cartan matrices of $\mathfrak{g}(A)$ and any distribution I of parities.
3. Construct Lie superalgebra $\mathfrak{g}(A, I)$ from these Chevalley generators by factorizing a certain $\tilde{\mathfrak{g}}(A, I)$ modulo an ideal (explicitly described in [37, 3, 4]; for a summary, see [2]).
4. For the Lie superalgebra $\mathfrak{g}(A, I)$, list all its inequivalent Cartan matrices.
5. If A is not invertible, pass to $\mathfrak{g}^{(i)}(A, I)/\mathfrak{c}$.

Such superization turns

- 1) a given orthogonal Lie algebra into either an ortho-orthogonal or a periplectic Lie superalgebra;
- 2) the three exceptional Lie algebras of \mathfrak{e} type turn into seven non-isomorphic Lie superalgebras of \mathfrak{e} type;
- 3) the $\mathfrak{m}\mathfrak{k}$ type Lie algebras discovered in [54] turn into \mathfrak{bgl} type Lie superalgebras.

1.3. Remarks. 1) Observe that the Lie (super)algebra uniformly defined for any characteristic as

- preserving a tensor, e.g., (super)trace-less; (ortho-)orthogonal and periplectic ones,
- given by an integer Cartan matrix whose entries are considered modulo p

may have different (super)dimensions as p varies (not only from 2 to “not 2”): The “same” Cartan matrices might define algebras of similar type but with different properties and names as the characteristic changes: for example $\mathfrak{sl}(np)$ has CM in all characteristics, except p , in which case it is $\mathfrak{gl}(np)$ that has a CM.

2) Although the number of inequivalent Cartan matrices grows with the size of A , it is easy to list all possibilities for serial Lie (super)algebras. Certain exceptional Lie superalgebras have dozens of inequivalent Cartan matrices; nevertheless, there are at least the following reasons to list all of them:

1. To classify all \mathbb{Z} -gradings of a given $\mathfrak{g}(A)$ (in particular, inequivalent Cartan matrices) is a very natural problem. Besides, sometimes the knowledge of the best, for the occasion, \mathbb{Z} -grading is important. Examples of different cases: [44] (all simple roots non-isotropic), [38] (all simple roots odd); for computations “by hand” the cases where only one simple root is odd are useful.

In particular, the defining relations between the natural (Chevalley) generators of $\mathfrak{g}(A)$ are of completely different form for inequivalent \mathbb{Z} -gradings, and this is used in [44].

2. Distinct \mathbb{Z} -gradings yield distinct Cartan–Tanaka–Shchepochkina (CTS) prolongs (vectorial Lie (super)algebras), cf. [49, 35]. So to classify them is vital, for example, in the quest for simple vectorial Lie (super)algebras.
3. Certain properties of Cartan matrices may vary under the passage from one inequivalent CM to the other (the Lie superalgebras that correspond to such matrices may have different rate of growth as \mathbb{Z} -graded algebras); this is a novel, previously unnoticed, feature of Lie superalgebras that had lead to false claims (rectified in [11]).

1.4 Related results

1) For explicit presentations in terms of (the analogs of) Chevalley generators of the Lie algebras and superalgebras listed here, see [2]. In addition to Serre-type relations there always are more complicated relations.

2) For deformations of the finite dimensional Lie (super)algebras of the form $\mathfrak{g}(A)$ and $\mathfrak{g}(A)^{(i)}/\mathfrak{c}$, see [6]. Observe that whereas “for $p > 3$, the Lie algebras with Cartan matrices of the same types that exist over \mathbb{C} are either rigid or have deforms which also possess Cartan matrices”, this is not so if $p = 3$ or 2.

3) For generalized Cartan–Tanaka–Shchepochkina (CTS) prolongs of the simple Lie (super)algebras of the form $\mathfrak{g}(A)$, and the simple subquotients of such prolongs, see [5, 7].

4) With restricted Lie algebras one can associate algebraic groups; analogously, with restricted Lie superalgebras one can associate algebraic supergroups. For this and other results of Lebedev’s Ph.D. thesis pertaining to the classification of simple modular Lie superalgebras, see [37].

2 Basics: Linear algebra in superspaces (from [39])

2.1 General notation

For further details on basics on Linear Algebra in Superspaces, see [39].

For the definition of the term ‘‘Lie superalgebra’’, especially, in characteristic 2, see Section 3.

For the definition of the Lie (super)algebras of the form $\mathfrak{g}(A)$, i.e., with Cartan matrix A (briefly referred to *CM Lie (super)algebras*), and simple relatives of the Lie superalgebras of the form $\mathfrak{g}(A)$ with indecomposable Cartan matrix A , see Section 4. For simplicity of typing, the i th incarnation of the Lie (super)algebra $\mathfrak{g}(A)$ with the i th CM (according to the lists given below) will be denoted by $i\mathfrak{g}(A)$.

For the split form of any simple Lie algebra \mathfrak{g} , we denote the \mathfrak{g} -module with the i th fundamental weight π_i by $R(\pi_i)$ (as in [41, 8]; these modules are denoted by Γ_i in [24]). In particular, for $\mathfrak{o}(2k+1)$, the *spinor representation* spin_{2k+1} is *defined* to be the k th fundamental representation, whereas for $\mathfrak{o}_{\Pi}(2k)$, the *spinor representations* are the k th and the $(k-1)$ st fundamental representations. The *realizations* of these representations and the corresponding modules by means of quantization (as in [40]) can also be defined, since, as is easy to see, the same quantization procedure is well-defined for the restricted version of the Poisson superalgebra. (Fortunately, we do not need irreducible representations of $\mathfrak{o}_{\Pi}(2k)$; their description is unknown, except the trivial, identity and adjoint ones.)

In what follows, ad denotes both the adjoint representation and the module in which it acts. Similarly, id denotes both the *identity* (a.k.a. *standard*) representation of the linear Lie (super)algebra $\mathfrak{g} \subset \mathfrak{gl}(V)$ in the (super)space V and V itself. (We disfavor the adjective ‘‘natural’’ applied to id only, since it is no less appropriate to any of the tensor (symmetric, exterior) powers of id .) In particular, having fixed a basis in the n -dimensional space and having realized $\mathfrak{sl}(V)$ as $\mathfrak{sl}(n)$, we write id instead of V , so V does not explicitly appear. The *exterior powers* and *symmetric powers* of the vector space V are defined as quotients of its tensor powers

$$\begin{aligned} T^0(V) &:= \bigwedge^0(V) := S^0(V) := \mathbb{K}, \\ T^1(V) &:= \bigwedge^1(V) := S^1(V) := V, \\ T^i(V) &:= \underbrace{V \otimes \cdots \otimes V}_{i \text{ factors}} \quad \text{for } i > 0. \end{aligned}$$

We set:

$$\wedge^*(V) := T^*(V)/(x \otimes x \mid x \in V), \quad S^*(V) := T^*(V)/(x \otimes y + y \otimes x \mid x, y \in V),$$

where $T^*(V) := \bigoplus T^i(V)$; let $\bigwedge^i(V)$ and $S^i(V)$ be homogeneous components of degree i .

Describing the $\mathfrak{g}_{\bar{0}}$ -module structure of $\mathfrak{g}_{\bar{1}}$ for a Lie superalgebra \mathfrak{g} , we write $\mathfrak{g}_{\bar{1}} \simeq R(\cdot)$, though it is, actually, $\Pi(R(\cdot))$.

The symbol $A \in B$ denotes a *semi-direct sum* of modules of which A is a submodule; when dealing with algebras, A is an ideal in $A \in B$.

2.2 Superspaces

A *superspace* is a $\mathbb{Z}/2$ -graded space; for any superspace $V = V_{\bar{0}} \oplus V_{\bar{1}}$, where $\bar{0}$ and $\bar{1}$ are residues modulo 2; we denote by $\Pi(V)$ another copy of the same superspace: with the shifted parity, i.e., $(\Pi(V))_{\bar{i}} = V_{\bar{i}+\bar{1}}$. The parity function is denoted by p . The *superdimension* of V is $\text{sdim } V = a + b\varepsilon$, where $\varepsilon^2 = 1$, and $a = \dim V_{\bar{0}}$, $b = \dim V_{\bar{1}}$. (Usually, $\text{sdim } V$ is shorthanded as a pair (a, b) or $a|b$; this notation obscures the fact that $\text{sdim } V \otimes W = \text{sdim } V \cdot \text{sdim } W$.)

A superspace structure in V induces the superspace structure in the space $\text{End}(V)$. A *basis of a superspace* is always a basis consisting of *homogeneous* vectors; let $\text{Par} = (p_1, \dots, p_{\dim V})$ be an ordered collection of their parities. We call Par the *format* of (the basis of) V . A square *supermatrix* of format (size) Par is a $\text{sdim } V \times \text{sdim } V$ matrix whose i th row and i th column are of the same parity $p_i \in \text{Par}$. The matrix unit $E_{i,j}$ is of parity $p_i + p_j$.

Whenever possible, we consider one of the simplest formats Par, e.g., the format Par_{st} of the form $(\bar{0}, \dots, \bar{0}; \bar{1}, \dots, \bar{1})$ is called *standard*. Systems of simple roots of Lie superalgebras corresponding to distinct nonstandard formats of supermatrix realizations of these superalgebras are related by so-called *odd reflections*.

2.3 The Sign Rule

The formulas of Linear Algebra are superized by means of the **Sign Rule**:

if something of parity p moves past something of parity q , the sign $(-1)^{pq}$ accrues; the expressions defined on homogeneous elements are extended to arbitrary ones via linearity.

Examples of application of the Sign Rule: By setting

$$[X, Y] = XY - (-1)^{p(X)p(Y)}YX$$

we get the notion of the supercommutator and the ensuing notions of *supercommutative* and *superanti-commutative* superalgebras; *Lie superalgebra* is the one which, in addition to superanti-commutativity, satisfies Jacobi identity amended with the Sign Rule; a *superderivation of a given superalgebra A* is a linear map $D: A \rightarrow A$ satisfying the *super Leibniz rule*

$$D(ab) = D(a)b + (-1)^{p(D)p(a)}aD(b).$$

Let V be a superspace, $\text{sdim } V = m|n$. The *general linear* Lie superalgebra of operators acting in V is denoted by $\mathfrak{gl}(V)$ or $\mathfrak{gl}(m|n)$ if an homogeneous basis of V is fixed. The Lie subsuperalgebra of supertraceless operators (supermatrices) is denoted $\mathfrak{sl}(V) \simeq \mathfrak{sl}(m|n)$. If a Lie superalgebra $\mathfrak{g} \subset \mathfrak{gl}(V)$ contains the ideal of scalar matrices $\mathfrak{s} = \mathbb{K}1_{m|n}$, then $\mathfrak{pg} = \mathfrak{g}/\mathfrak{s}$ denotes the projective version of \mathfrak{g} .

Observe that sometimes the Sign Rule requires some dexterity in application. For example, we have to distinguish between super-skew and super-anti although both versions coincide in the non-super case:

$$\begin{aligned} ba &= (-1)^{p(b)p(a)}ab && \text{(supercommutativity),} \\ ba &= -(-1)^{p(b)p(a)}ab && \text{(superanti-commutativity),} \\ ba &= (-1)^{(p(b)+1)(p(a)+1)}ab && \text{(superskew-commutativity),} \\ ba &= -(-1)^{(p(b)+1)(p(a)+1)}ab && \text{(superantiskew-commutativity).} \end{aligned}$$

In other words, “anti” means the total change of the sign, whereas any “skew” notion can be straightened by the parity change. In what follows, the supersymmetric bilinear forms and supercommutative superalgebras are named according to the above definitions.

The supertransposition of supermatrices is defined so as to assign the supertransposed supermatrix to the dual operator in the dual bases. For details, see [36]; an explicit expression in the standard format is as follows (we give a general formula for matrices with entries in a supercommutative superalgebra; in this paper we only need the lower formula):

$$X = \begin{pmatrix} a & b \\ c & d \end{pmatrix} \mapsto X^{st} := \begin{cases} \begin{pmatrix} a^t & c^t \\ -b^t & d^t \end{pmatrix} & \text{for } X \text{ even,} \\ \begin{pmatrix} a^t & -c^t \\ b^t & d^t \end{pmatrix} & \text{for } X \text{ odd.} \end{cases}$$

2.4 What the Lie superalgebra is

Dealing with superalgebras it sometimes becomes useful to know their definition. Lie superalgebras were distinguished in topology in 1930's, and the Grassmann superalgebras half a century earlier. So it might look strange when somebody offers a “better” definition of a notion which was established about 70 year ago. Nevertheless, the answer to the question “what is a (Lie) superalgebra?” is still not a common knowledge.

So far we defined Lie superalgebras naively: via the Sign Rule. However, the naive definition suggested above (“apply the Sign Rule to the definition of the Lie algebra”) is manifestly inadequate for considering the supervarieties² of deformations and for applications of representation theory to mathematical physics, for example, in the study of the coadjoint representation of the Lie supergroup which can act on a supermanifold or supervariety but never on a vector superspace – an object from another category. We were just lucky in the case of finite dimensional Lie algebras over \mathbb{C} that the vector spaces can be viewed as manifolds or varieties. In the case of spaces over \mathbb{K} and in the super setting, to be able to deform Lie (super)algebras or to apply group-theoretical methods, we must be able to recover a supermanifold from a vector superspace, and *vice versa*.

A proper definition of Lie superalgebras is as follows. The *Lie superalgebra* in the category of supervarieties corresponding to the “naive” Lie superalgebra $L = L_{\bar{0}} \oplus L_{\bar{1}}$ is a linear supermanifold $\mathcal{L} = (L_{\bar{0}}, \mathcal{O})$, where the sheaf of functions \mathcal{O} consists of functions on $L_{\bar{0}}$ with values in the Grassmann superalgebra on $L_{\bar{1}}^*$; this supermanifold should be such that for “any” (say, finitely generated, or from some other appropriate category) supercommutative superalgebra C , the space $\mathcal{L}(C) = \text{Hom}(\text{Spec } C, \mathcal{L})$, called *the space of C-points of \mathcal{L}* , is a Lie algebra and the correspondence $C \rightarrow \mathcal{L}(C)$ is a functor in C . (A. Weil introduced this approach in algebraic geometry in 1953; in super setting it is called *the language of points or families*.) This definition might look terribly complicated, but fortunately one can show that the correspondence $\mathcal{L} \longleftrightarrow L$ is one-to-one and the Lie algebra $\mathcal{L}(C)$, also denoted $L(C)$, admits a very simple description: $L(C) = (L \otimes C)_{\bar{0}}$.

A *Lie superalgebra homomorphism* $\rho: L_1 \rightarrow L_2$ in these terms is a functor morphism, i.e., a collection of Lie algebra homomorphisms $\rho_C: L_1(C) \rightarrow L_2(C)$ such that any homomorphism of supercommutative superalgebras $\varphi: C \rightarrow C_1$ induces a Lie algebra homomorphism $\varphi: L(C) \rightarrow L(C_1)$ and products of such homomorphisms are naturally compatible. In particular, a *representation* of a Lie superalgebra L in a superspace V is a homomorphism $\rho: L \rightarrow \mathfrak{gl}(V)$, i.e., a collection of Lie algebra homomorphisms $\rho_C: L(C) \rightarrow (\mathfrak{gl}(V) \otimes C)_{\bar{0}}$.

2.4.1. Example. Consider a representation $\rho: \mathfrak{g} \rightarrow \mathfrak{gl}(V)$. The space of infinitesimal deformations of ρ is isomorphic to $H^1(\mathfrak{g}; V \otimes V^*)$. For example, if \mathfrak{g} is the $0|n$ -dimensional (i.e., purely odd) Lie superalgebra (with the only bracket possible: identically equal to zero), its only irreducible modules are the trivial one, $\mathbf{1}$, and $\Pi(\mathbf{1})$. Clearly,

$$\mathbf{1} \otimes \mathbf{1}^* \simeq \Pi(\mathbf{1}) \otimes \Pi(\mathbf{1})^* \simeq \mathbf{1},$$

and, because the Lie superalgebra \mathfrak{g} is commutative, the differential in the cochain complex is zero. Therefore $H^1(\mathfrak{g}; \mathbf{1}) = \bigwedge^1(\mathfrak{g}^*) \simeq \mathfrak{g}^*$, so there are $\dim \mathfrak{g}$ odd parameters of deformations of the trivial representation. If we consider \mathfrak{g} “naively”, all of these odd parameters will be lost.

Examples that lucidly illustrate why one should always remember that a Lie superalgebra is not a mere linear superspace but a linear supermanifold are, e.g., the deforms with odd parameters. In the category of supervarieties, these deforms, listed in [6], are simple Lie superalgebras.

²A *supervariety* is a ringed space such that the collection of *functions* on it – the sections of its sheaf – constitute a supercommutative superring. *Morphisms* of supervarieties are only the ring space morphisms that preserve parity of the superrings of sections of the structure sheaves.

2.5 Examples of simple Lie superalgebras over \mathbb{C}

Recall that the Lie superalgebra \mathfrak{g} without proper ideals and of dimension > 1 is said to be *simple*. Examples: Serial Lie superalgebras $\mathfrak{sl}(m|n)$ for $m > n \geq 1$, $\mathfrak{psl}(n|n) := \mathfrak{sl}(n|n)/\mathfrak{c}$ for $n > 1$, $\mathfrak{osp}(m|2n)$ for $mn \neq 0$, and $\mathfrak{spe}(n)$ for $n > 2$; and the exceptional Lie superalgebras: $\mathfrak{ag}(2)$, $\mathfrak{ab}(3)$, and $\mathfrak{osp}(4|2; \alpha)$ for $\alpha \neq 0, -1$.

3 What the Lie superalgebra in characteristic 2 is (from [34])

Let us give a naive definition of a Lie superalgebra for $p = 2$. We define it as a superspace $\mathfrak{g} = \mathfrak{g}_0 \oplus \mathfrak{g}_1$ such that \mathfrak{g}_0 is a Lie algebra, \mathfrak{g}_1 is an \mathfrak{g}_0 -module (made into the two-sided one by anti-symmetry, but if $p = 2$, it is the same) and on \mathfrak{g}_1 a *squaring* (roughly speaking, the halved bracket) is defined as a map

$$\begin{aligned} x &\mapsto x^2 \quad \text{such that } (ax)^2 = a^2x^2 \text{ for any } x \in \mathfrak{g}_1 \text{ and } a \in \mathbb{K}, \text{ and} \\ (x+y)^2 - x^2 - y^2 &\text{ is a bilinear form on } \mathfrak{g}_1 \text{ with values in } \mathfrak{g}_0. \end{aligned} \quad (3.1)$$

(We use a minus sign, so the definition also works for $p \neq 2$.) The origin of this operation is as follows: If $\text{char } \mathbb{K} \neq 2$, then for any Lie superalgebra \mathfrak{g} and any odd element $x \in \mathfrak{g}_1$, we have $x^2 = \frac{1}{2}[x, x] \in \mathfrak{g}_0$. If $p = 2$, we define x^2 first, and then define the bracket of odd elements to be (this equation is valid for $p \neq 2$ as well):

$$[x, y] := (x + y)^2 - x^2 - y^2. \quad (3.2)$$

We also assume, as usual, that

if $x, y \in \mathfrak{g}_0$, then $[x, y]$ is the bracket on the Lie algebra;
if $x \in \mathfrak{g}_0$ and $y \in \mathfrak{g}_1$, then $[x, y] := l_x(y) = -[y, x] = -r_x(y)$, where l
and r are the left and right \mathfrak{g}_0 -actions on \mathfrak{g}_1 , respectively.

The Jacobi identity involving odd elements has now the following form:

$$[x^2, y] = [x, [x, y]] \quad \text{for any } x \in \mathfrak{g}_1, y \in \mathfrak{g}. \quad (3.3)$$

If $\mathbb{K} \neq \mathbb{Z}/2\mathbb{Z}$, we can replace the condition on two odd elements by a simpler one:

$$[x, x^2] = 0 \quad \text{for any } x \in \mathfrak{g}_1. \quad (3.4)$$

Because of the squaring, the definition of derived algebras should be modified. For any Lie superalgebra \mathfrak{g} , set $\mathfrak{g}^{(0)} := \mathfrak{g}$ and

$$\mathfrak{g}^{(1)} := [\mathfrak{g}, \mathfrak{g}] + \text{Span}\{g^2 \mid g \in \mathfrak{g}_1\}, \quad \mathfrak{g}^{(i+1)} := [\mathfrak{g}^{(i)}, \mathfrak{g}^{(i)}] + \text{Span}\{g^2 \mid g \in (\mathfrak{g}^{(i)})_1\}. \quad (3.5)$$

3.1 Examples: Lie superalgebras preserving non-degenerate forms [34]

Lebedev investigated various types of equivalence of bilinear forms for $p = 2$, see [34]; we just recall the verdict and say that *two (anti)-symmetric bilinear forms B and B' on a superspace V are equivalent* if there is an even non-degenerate linear map $M: V \rightarrow V$ such that

$$B'(x, y) = B(Mx, My) \quad \text{for all } x, y \in V. \quad (3.6)$$

We fix some basis in V and identify a given bilinear form with its Gram matrix in this basis; let us also identify any linear operator on V with its matrix. Then two bilinear forms (rather supermatrices) are *equivalent* if there is an even invertible matrix M such that

$$B' = MBM^T, \quad \text{where } T \text{ is for transposition.} \quad (3.7)$$

We often use the following matrices

$$J_{2n} = \begin{pmatrix} 0 & 1_n \\ -1_n & 0 \end{pmatrix}, \quad \Pi_n = \begin{cases} \begin{pmatrix} 0 & 1_k \\ 1_k & 0 \end{pmatrix} & \text{if } n = 2k, \\ \begin{pmatrix} 0 & 0 & 1_k \\ 0 & 1 & 0 \\ 1_k & 0 & 0 \end{pmatrix} & \text{if } n = 2k + 1. \end{cases} \quad (3.8)$$

Let $J_{n|n}$ and $\Pi_{n|n}$ be the same as J_{2n} and Π_{2n} but considered as supermatrices.

Lebedev proved that, with respect to the above natural³ equivalence of forms (3.7), every even symmetric non-degenerate form on a superspace of dimension $n_{\bar{0}}|n_{\bar{1}}$ over a perfect field of characteristic 2 is equivalent to a form of the shape (here: $i = \bar{0}$ or $\bar{1}$ and each n_i may equal to 0)

$$B = \begin{pmatrix} B_{\bar{0}} & 0 \\ 0 & B_{\bar{1}} \end{pmatrix}, \quad \text{where } B_i = \begin{cases} 1_{n_i} & \text{if } n_i \text{ is odd,} \\ \text{either } 1_{n_i} \text{ or } \Pi_{n_i} & \text{if } n_i \text{ is even.} \end{cases}$$

In other words, the bilinear forms with matrices 1_n and Π_n are equivalent if n is odd and non-equivalent if n is even; $\text{antidiag}(1, \dots, 1) \sim \Pi_n$ for any n . The precise statement is as follows:

3.1.1. Theorem. *Let \mathbb{K} be a perfect field of characteristic 2. Let V be an n -dimensional space over \mathbb{K} .*

1) *For n odd, there is only one equivalence class of non-degenerate symmetric bilinear forms on V .*

2) *For n even, there are two equivalence classes of non-degenerate symmetric bilinear forms, one – with at least one non-zero element on the main diagonal – contains 1_n and the other one – with only 0s on the main diagonal – contains $S_n := \text{antidiag}(1, \dots, 1)$ and Π_n .*

The Lie superalgebra preserving B – by analogy with the orthosymplectic Lie superalgebras \mathfrak{osp} in characteristic 0 we call it *ortho-orthogonal* and denote $\mathfrak{oo}_B(n_{\bar{0}}|n_{\bar{1}})$ – is spanned by the supermatrices which in the standard format are of the form

$$\begin{pmatrix} A_{\bar{0}} & B_{\bar{0}}C^T B_{\bar{1}}^{-1} \\ C & A_{\bar{1}} \end{pmatrix}, \quad \text{where } A_{\bar{0}} \in \mathfrak{o}_{B_{\bar{0}}}(n_{\bar{0}}), A_{\bar{1}} \in \mathfrak{o}_{B_{\bar{1}}}(n_{\bar{1}}), \text{ and } C \text{ is arbitrary } n_{\bar{1}} \times n_{\bar{0}} \text{ matrix.}$$

Since, as is easy to see,

$$\mathfrak{oo}_{\Pi I}(n_{\bar{0}}|n_{\bar{1}}) \simeq \mathfrak{oo}_{\Pi \text{III}}(n_{\bar{1}}|n_{\bar{0}}),$$

we do not have to consider the Lie superalgebra $\mathfrak{oo}_{\Pi I}(n_{\bar{0}}|n_{\bar{1}})$ separately unless we study Cartan prolongations – the case where the difference between these two incarnations of the same algebra is vital.

For an odd symmetric form B on a superspace of dimension $(n_{\bar{0}}|n_{\bar{1}})$ over a field of characteristic 2 to be non-degenerate, we need $n_{\bar{0}} = n_{\bar{1}}$, and every such form B is equivalent to $\Pi_{k|k}$, where $k = n_{\bar{0}} = n_{\bar{1}}$. This form is preserved by linear transformations with supermatrices in the standard format of the shape

$$\begin{pmatrix} A & C \\ D & A^T \end{pmatrix}, \quad \text{where } A \in \mathfrak{gl}(k), C \text{ and } D \text{ are symmetric } k \times k \text{ matrices.} \quad (3.9)$$

The Lie superalgebra $\mathfrak{pe}(k)$ of supermatrices (3.9) will be referred to as *periplectic*, as A. Weil suggested, and denoted by $\mathfrak{pe}_B(k)$ or just $\mathfrak{pe}(k)$. (Notice that the matrix realization of $\mathfrak{pe}_B(k)$

³It is interesting and unexpected that for non-symmetric bilinear forms, another equivalence is more natural.

over \mathbb{C} or \mathbb{R} is different: its set of roots is not symmetric relative the change of roots “positive \longleftrightarrow negative”.)

The fact that two bilinear forms are inequivalent does not, generally, imply that the Lie (super)algebras that preserve them are not isomorphic. (3.10)

In [34], Lebedev proved that for the *non-degenerate symmetric* forms, this implication (3.10) is, however, true (except for $\mathfrak{oo}_{III}(n_{\bar{0}}|n_{\bar{1}}) \simeq \mathfrak{oo}_{III}(n_{\bar{1}}|n_{\bar{0}})$ and $\mathfrak{oo}_{III}^{(1)}(6|2) \simeq \mathfrak{pe}^{(1)}(4)$) and described the distinct types of Lie (super)algebras preserving non-degenerate forms. In what follows, we describe which of these Lie (super)algebras (or their derived ones) are simple, and which of them (or their central extensions) “have Cartan matrix”. But first, we recall what does the term in quotation marks mean.

4 What $\mathfrak{g}(A)$ is

4.1 Warning: certain of \mathfrak{sl} 's and all \mathfrak{psl} 's have no Cartan matrix. Which of their relatives have Cartan matrices

For the most reasonable definition of Lie algebra with Cartan matrix over \mathbb{C} , see [28]. The same definition applies, practically literally, to Lie superalgebras and to modular Lie algebras and to modular Lie superalgebras. However, the usual sloppy practice is to attribute Cartan matrices to many of those (usually simple) modular Lie algebras and (modular or not) Lie superalgebras which, strictly speaking, have no Cartan matrix!

Although it may look strange for the reader with non-super experience over \mathbb{C} , neither the simple modular Lie algebra $\mathfrak{psl}(pk)$, nor the simple modular Lie superalgebra $\mathfrak{psl}(a|pk+a)$, nor – in characteristic 0 – the simple Lie superalgebra $\mathfrak{psl}(a|a)$ possesses a Cartan matrix. Their central extensions – $\mathfrak{sl}(pk)$, the modular Lie superalgebra $\mathfrak{sl}(a|pk+a)$, and – in characteristic 0 – the Lie superalgebra $\mathfrak{sl}(a|a)$ – do not have Cartan matrix, either.

Their relatives possessing a Cartan matrix are, respectively, $\mathfrak{gl}(pk)$, $\mathfrak{gl}(a|pk+a)$, and $\mathfrak{gl}(a|a)$, and for the “extra” (from the point of view of \mathfrak{sl} or \mathfrak{psl}) grading operator (such operators are denoted in what follows d_i , to distinguish them from the “inner” grading operators h_i) we take $E_{1,1}$.

Since often all the Lie (super)algebras involved (the simple one, its central extension, the derivation algebras thereof) are needed (and only representatives of one of the latter types of Lie (super)algebras are of the form $\mathfrak{g}(A)$), it is important to have (preferably short and easy to remember) notation for each of them.

For the Lie algebras that preserve a tensor (bilinear form or a volume element) we retain the same notation in all characteristic; but the (super)dimension of various incarnations of the algebras with the same name may differ as characteristic changes; simplicity may also be somewhat spoiled.

For the Lie (super)algebras which are easiest to be determined by their Cartan matrix (the Elduque Supermagic Square is of little help here), we have:

for $p = 3$: $\mathfrak{e}(6)$ is of dimension 79, its derived $\mathfrak{e}(6)^{(1)}$ is of dimension 78, whereas its “simple core” is $\mathfrak{e}(6)^{(1)}/\mathfrak{c}$ of dimension 77;

$\mathfrak{g}(2)$ is not simple (moreover, its CM is decomposable); its “simple core” is isomorphic to $\mathfrak{psl}(3)$;

for $p = 2$: $\mathfrak{e}(7)$ is of dimension 134, its derived $\mathfrak{e}(7)^{(1)}$ is of dimension 133, whereas its “simple core” is $\mathfrak{e}(7)^{(1)}/\mathfrak{c}$ of dimension 132;

$\mathfrak{g}(2)$ constructed from its CM reduced modulo 2 is now isomorphic to $\mathfrak{gl}(4)$; it is not simple, its “simple core” is isomorphic to $\mathfrak{psl}(4)$;

the orthogonal Lie algebras and their super analogs are considered in detail later.

In our examples, the notation $D/d|B$ means that $\text{sdim } \mathfrak{g}(A) = D|B$ whereas $\text{sdim } \mathfrak{g}(A)^{(i)}/\mathfrak{c} = d|B$, where

$$d = D - 2(\text{size}(A) - \text{rk}(A)) \quad \text{and} \quad i = \text{size}(A) - \text{rk}(A) = \dim \mathfrak{c}. \quad (4.1)$$

4.2 Generalities

Let us start with the construction of a CM Lie (super)algebra. Let $A = (A_{ij})$ be an $n \times n$ -matrix. Let $\text{rk } A = n - l$. It means that there exists an $l \times n$ -matrix $T = (T_{ij})$ such that

- a) the rows of T are linearly independent;
 - b) $TA = 0$ (or, more precisely, “zero $l \times n$ -matrix”).
- (4.2)

Indeed, if $\text{rk } A^T = \text{rk } A = n - l$, then there exist l linearly independent vectors v_i such that $A^T v_i = 0$; set

$$T_{ij} = (v_i)_j.$$

Let the elements e_i^\pm and h_i , where $i = 1, \dots, n$, generate a Lie superalgebra denoted $\tilde{\mathfrak{g}}(A, I)$, where $I = (p_1, \dots, p_n) \in (\mathbb{Z}/2)^n$ is a collection of parities ($p(e_i^\pm) = p_i$), free except for the relations

$$[e_i^+, e_j^-] = \delta_{ij} h_i; \quad [h_j, e_j^\pm] = \pm A_{ij} e_j^\pm \quad \text{and} \quad [h_i, h_j] = 0 \quad \text{for any } i, j. \quad (4.3)$$

Let Lie (super)algebras with Cartan matrix $\mathfrak{g}(A, I)$ be the quotient of $\tilde{\mathfrak{g}}(A, I)$ modulo the ideal we explicitly described in [3, 4, 2].

By abuse of notation we retain the notations e_j^\pm and h_j – the elements of $\tilde{\mathfrak{g}}(A, I)$ – for their images in $\mathfrak{g}(A, I)$ and $\mathfrak{g}^{(i)}(A, I)$.

The additional to (4.3) relations that turn $\tilde{\mathfrak{g}}(A, I)$ into $\mathfrak{g}(A, I)$ are of the form $R_i = 0$ whose left sides are implicitly described, for the general Cartan matrix with entries in \mathbb{K} , as

$$\begin{aligned} & \text{the } R_i \text{ that generate the ideal } \mathfrak{r} \text{ maximal among the ideals of } \tilde{\mathfrak{g}}(A, I) \\ & \text{whose intersection with the span of the above } h_i \text{ and the } d_j \text{ described} \\ & \text{in equation (4.8) is zero.} \end{aligned} \quad (4.4)$$

Set

$$c_i = \sum_{j=1}^n T_{ij} h_j, \quad \text{where } i = 1, \dots, l. \quad (4.5)$$

Then, from the properties of the matrix T , we deduce that

- a) the elements c_i are linearly independent;
 - b) the elements c_i are central, because
- $$[c_i, e_j^\pm] = \pm \left(\sum_{k=1}^n T_{ik} A_{kj} \right) e_j^\pm = \pm (TA)_{ij} e_j^\pm. \quad (4.6)$$

The existence of central elements means that the linear span of all the roots is of dimension $n - l$ only. (This can be explained even without central elements: The weights can be considered as column-vectors whose i -th coordinates are the corresponding eigenvalues of ad_{h_i} . The weight

of e_i is, therefore, the i -th column of A . Since $\text{rk } A = n - l$, the linear span of all columns of A is $(n - l)$ -dimensional just by definition of the rank. Since any root is an (integer) linear combination of the weights of the e_i , the linear span of all roots is $(n - l)$ -dimensional.)

This means that some elements which we would like to see having different (even opposite if $p = 2$) weights have, actually, identical weights. To fix this, we do the following: Let B be an arbitrary $l \times n$ -matrix such that

$$\text{the } (n + l) \times n\text{-matrix } \begin{pmatrix} A \\ B \end{pmatrix} \text{ has rank } n. \quad (4.7)$$

Let us add to the algebra $\mathfrak{g} = \tilde{\mathfrak{g}}(A, I)$ (and hence $\mathfrak{g}(A, I)$) the grading elements d_i , where $i = 1, \dots, l$, subject to the following relations:

$$[d_i, e_j^\pm] = \pm B_{ij} e_j; \quad [d_i, d_j] = 0; \quad [d_i, h_j] = 0 \quad (4.8)$$

(the last two relations mean that the d_i lie in the Cartan subalgebra, and even in the maximal torus which will be denoted by \mathfrak{h}).

Note that these d_i are *outer* derivations of $\mathfrak{g}(A, I)^{(1)}$, i.e., they can not be obtained as linear combinations of brackets of the elements of $\mathfrak{g}(A, I)$ (i.e., the d_i do not lie in $\mathfrak{g}(A, I)^{(1)}$).

4.3 Roots and weights

In this subsection, \mathfrak{g} denotes one of the algebras $\mathfrak{g}(A, I)$ or $\tilde{\mathfrak{g}}(A, I)$.

Let \mathfrak{h} be the span of the h_i and the d_j . The elements of \mathfrak{h}^* are called *weights*. For a given weight α , the *weight subspace* of a given \mathfrak{g} -module V is defined as

$$V_\alpha = \{x \in V \mid \text{an integer } N > 0 \text{ exists such that } (\alpha(h) - \text{ad}_h)^N x = 0 \text{ for any } h \in \mathfrak{h}\}.$$

Any non-zero element $x \in V$ is said to be *of weight* α . For the roots, which are particular cases of weights if $p = 0$, the above definition is inconvenient because it does not lead to the modular analog of the following useful statement.

4.3.1. Statement ([28]). *Over \mathbb{C} , the space of any Lie algebra \mathfrak{g} can be represented as a direct sum of subspaces*

$$\mathfrak{g} = \bigoplus_{\alpha \in \mathfrak{h}^*} \mathfrak{g}_\alpha. \quad (4.9)$$

Note that if $p = 2$, it might happen that $\mathfrak{h} \subsetneq \mathfrak{g}_0$. (For example, all weights of the form 2α over \mathbb{C} become 0 over \mathbb{K} .)

To salvage the formulation of Statement in the modular case with minimal changes, *at least for the Lie (super)algebras \mathfrak{g} with Cartan matrix* – and only this case we will have in mind speaking of roots, we decree that the elements e_i^\pm with the same superscript (either $+$ or $-$) correspond to linearly independent *roots* α_i , and any root α such that $\mathfrak{g}_\alpha \neq 0$ lies in the \mathbb{Z} -span of $\{\alpha_1, \dots, \alpha_n\}$, i.e.,

$$\mathfrak{g} = \bigoplus_{\alpha \in \mathbb{Z}\{\alpha_1, \dots, \alpha_n\}} \mathfrak{g}_\alpha. \quad (4.10)$$

Thus, \mathfrak{g} has a \mathbb{R}^n -grading such that e_i^\pm has grade $(0, \dots, 0, \pm 1, 0, \dots, 0)$, where ± 1 stands in the i -th slot (this can also be considered as \mathbb{Z}^n -grading, but we use \mathbb{R}^n for simplicity of formulations). If $p = 0$, this grading is equivalent to the weight grading of \mathfrak{g} . If $p > 0$, these gradings may be inequivalent; in particular, if $p = 2$, then the elements e_i^+ and e_i^- have the same weight. (That is why in what follows we consider roots as elements of \mathbb{R}^n , not as weights.)

Any non-zero element $\alpha \in \mathbb{R}^n$ is called a *root* if the corresponding eigenspace of grade α (which we denote \mathfrak{g}_α by abuse of notation) is non-zero. The set R of all roots is called *the root system* of \mathfrak{g} .

Clearly, the subspaces \mathfrak{g}_α are purely even or purely odd, and the corresponding roots are said to be *even* or *odd*.

4.4 Systems of simple and positive roots

In this subsection, $\mathfrak{g} = \mathfrak{g}(A, I)$, and R is the root system of \mathfrak{g} .

For any subset $B = \{\sigma_1, \dots, \sigma_m\} \subset R$, we set (we denote by \mathbb{Z}_+ the set of non-negative integers):

$$R_B^\pm = \left\{ \alpha \in R \mid \alpha = \pm \sum n_i \sigma_i, \text{ where } n_i \in \mathbb{Z}_+ \right\}.$$

The set B is called a *system of simple roots* of R (or \mathfrak{g}) if $\sigma_1, \dots, \sigma_m$ are linearly independent and $R = R_B^+ \cup R_B^-$. Note that R contains basis coordinate vectors, and therefore spans \mathbb{R}^n ; thus, any system of simple roots contains exactly n elements.

A subset $R^+ \subset R$ is called a *system of positive roots* of R (or \mathfrak{g}) if there exists $x \in \mathbb{R}^n$ such that

$$(\alpha, x) \in \mathbb{R} \setminus \{0\} \text{ for all } \alpha \in R, \quad R^+ = \{\alpha \in R \mid (\alpha, x) > 0\}. \quad (4.11)$$

(Here (\cdot, \cdot) is the standard Euclidean inner product in \mathbb{R}^n). Since R is a finite (or, at least, countable if $\dim \mathfrak{g}(A) = \infty$) set, so the set

$$\{y \in \mathbb{R}^n \mid \text{there exists } \alpha \in R \text{ such that } (\alpha, y) = 0\}$$

is a finite/countable union of $(n - 1)$ -dimensional subspaces in \mathbb{R}^n , so it has zero measure. So for almost every x , condition (4.11) holds.

By construction, any system B of simple roots is contained in exactly one system of positive roots, which is precisely R_B^+ .

4.4.1. Statement. *Any finite system R^+ of positive roots of \mathfrak{g} contains exactly one system of simple roots. This system consists of all the positive roots (i.e., elements of R^+) that can not be represented as a sum of two positive roots.*

We can not give an *a priori* proof of the fact that each set of all positive roots each of which is not a sum of two other positive roots consists of linearly independent elements. This is, however, true for finite dimensional Lie algebras and Lie superalgebras of the form $\mathfrak{g}(A)$ if $p \neq 2$.

4.5 Normalization convention

Clearly,

$$\text{the rescaling } e_i^\pm \mapsto \sqrt{\lambda_i} e_i^\pm, \text{ sends } A \text{ to } A' := \text{diag}(\lambda_1, \dots, \lambda_n) \cdot A. \quad (4.12)$$

Two pairs (A, I) and (A', I') are said to be *equivalent* if (A', I') is obtained from (A, I) by a composition of a permutation of parities and a rescaling $A' = \text{diag}(\lambda_1, \dots, \lambda_n) \cdot A$, where $\lambda_1 \cdots \lambda_n \neq 0$. Clearly, equivalent pairs determine isomorphic Lie superalgebras.

The rescaling affects only the matrix A_B , not the set of parities I_B . The Cartan matrix A is said to be *normalized* if

$$A_{jj} = 0 \quad \text{or } 1, \text{ or } 2. \quad (4.13)$$

We let $A_{jj} = 2$ only if $i_j = \bar{0}$; in order to distinguish between the cases where $i_j = \bar{0}$ and $i_j = \bar{1}$, we write $A_{jj} = \bar{0}$ or $\bar{1}$, instead of 0 or 1, if $i_j = \bar{0}$. *We will only consider normalized Cartan matrices; for them, we do not have to describe I .*

The row with a 0 or $\bar{0}$ on the main diagonal can be multiplied by any nonzero factor; usually (not only in this paper) we multiply the rows so as to make A_B symmetric, if possible.

4.6 Equivalent systems of simple roots

Let $B = \{\alpha_1, \dots, \alpha_n\}$ be a system of simple roots. Choose non-zero elements e_i^\pm in the 1-dimensional (by definition) superspaces $\mathfrak{g}_{\pm\alpha_i}$; set $h_i = [e_i^+, e_i^-]$, let $A_B = (A_{ij})$, where the entries A_{ij} are recovered from relations (4.3), and let $I_B = \{p(e_1), \dots, p(e_n)\}$. Lemma 7.3.2 claims that all the pairs (A_B, I_B) are equivalent to each other.

Two systems of simple roots B_1 and B_2 are said to be *equivalent* if the pairs (A_{B_1}, I_{B_1}) and (A_{B_2}, I_{B_2}) are equivalent.

It would be nice to find a convenient way to fix some distinguished pair (A_B, I_B) in the equivalence class. For the role of the “best” (first among equals) order of indices we propose the one that minimizes the value

$$\max_{i,j \in \{1, \dots, n\} \text{ such that } (A_B)_{ij} \neq 0} |i - j| \quad (4.14)$$

(i.e., gather the non-zero entries of A as close to the main diagonal as possible). Observe that this numbering differs from the one that Bourbaki use for the \mathfrak{e} type Lie algebras.

4.6.1 Chevalley generators and Chevalley bases

We often denote the set of generators corresponding to a normalized matrix by X_1^\pm, \dots, X_n^\pm instead of e_1^\pm, \dots, e_n^\pm ; and call them, together with the elements $H_i := [X_i^+, X_i^-]$, and the derivatives d_j added for convenience for all i and j , the *Chevalley generators*.

For $p = 0$ and normalized Cartan matrices of simple finite dimensional Lie algebras, there exists only one (up to signs) basis containing X_i^\pm and H_i in which $A_{ii} = 2$ for all i and all structure constants are integer, cf. [51]. Such a basis is called the *Chevalley basis*.

Observe that, having normalized the Cartan matrix of $\mathfrak{o}(2n+1)$ so that $A_{ii} = 2$ for all $i \neq n$ but $A_{nn} = 1$, we get **another** basis with integer structure constants. We think that this basis also qualifies to be called *Chevalley basis*; for Lie superalgebras, and if $p = 2$, such normalization is a must.

Conjecture. *If $p > 2$, then for finite dimensional Lie (super)algebras with indecomposable Cartan matrices normalized as in (4.13), there also exists only one (up to signs) analog of the Chevalley basis.*

We had no idea how to describe analogs of Chevalley bases for $p = 2$ until recently; clearly, the methods of the recent paper [12] should solve the problem.

5 Restricted Lie superalgebras

Let \mathfrak{g} be a Lie algebra of characteristic $p > 0$. Then, for every $x \in \mathfrak{g}$, the operator ad_x^p is a derivation of \mathfrak{g} . If it is an *inner* derivation for every $x \in \mathfrak{g}$, i.e., if $\text{ad}_x^p = \text{ad}_{x^{[p]}}$ for some element denoted $x^{[p]}$, then the corresponding map

$$[p]: x \mapsto x^{[p]} \quad (5.1)$$

is called a *p-structure* on \mathfrak{g} , and the Lie algebra \mathfrak{g} endowed with a *p-structure* is called a *restricted Lie algebra*. If \mathfrak{g} has no center, then \mathfrak{g} can have not more than one *p-structure*. The Lie algebra

$\mathfrak{gl}(n)$ possesses a p -structure, unique up to the contribution of the center; this p -structure is used in the next definition.

The notion of a p -representation is naturally defined as a linear map $\rho : \mathfrak{g} \longrightarrow \mathfrak{gl}(V)$ such that $\rho(x^{[p]}) = (\rho(x))^{[p]}$; in this case V is said to be a p -module.

Passing to superalgebras, we see that, for any odd $D \in \mathfrak{der}A$, we have

$$D^{2n}([a, b]) = \sum \binom{n}{l} [D^{2l}(a), D^{2n-2l}(b)] \quad \text{for any } a, b \in A. \quad (5.2)$$

So, if $\text{char } \mathbb{K} = p$, then D^{2p} is always an even derivation for any odd $D \in \mathfrak{der}A$. Now, let \mathfrak{g} be a Lie superalgebra of characteristic $p > 0$. Then

for every $x \in \mathfrak{g}_{\bar{0}}$, the operator ad_x^p is a derivation of \mathfrak{g} , i.e., $\mathfrak{g}_{\bar{0}}$ -action on $\mathfrak{g}_{\bar{1}}$ is a p -representation;
for every $x \in \mathfrak{g}_{\bar{1}}$, the operator $\text{ad}_x^{2p} = \text{ad}_{x^2}^p$ is a derivation of \mathfrak{g} .

So, if for every $x \in \mathfrak{g}_{\bar{0}}$, there is $x^{[p]} \in \mathfrak{g}_{\bar{0}}$ such that $\text{ad}_x^p = \text{ad}_{x^{[p]}}$ for any $x \in \mathfrak{g}_{\bar{0}}$, then we can define $x^{[2p]} := (x^2)^{[p]}$ for any $x \in \mathfrak{g}_{\bar{1}}$. We demand that for any $x \in \mathfrak{g}_{\bar{0}}$, we have

$$\text{ad}_x^p = \text{ad}_{x^{[p]}} \quad \text{as operators on the whole } \mathfrak{g}, \text{ i.e., } \mathfrak{g}_{\bar{1}} \text{ is a restricted } \mathfrak{g}_{\bar{0}}\text{-module.}$$

Then the pair of maps

$$[p]: \mathfrak{g}_{\bar{0}} \longrightarrow \mathfrak{g}_{\bar{0}} \quad (x \mapsto x^{[p]}) \quad \text{and} \quad [2p]: \mathfrak{g}_{\bar{1}} \longrightarrow \mathfrak{g}_{\bar{0}} \quad (x \mapsto x^{[2p]})$$

is called a $p|2p$ -structure – or just p -structure – on \mathfrak{g} , and the Lie superalgebra \mathfrak{g} endowed with a p -structure is called a *restricted* Lie superalgebra.

5.1 The case where $\mathfrak{g}_{\bar{0}}$ has center

The p -structure on $\mathfrak{g}_{\bar{0}}$ does not have to determine a $p|2p$ -structure on \mathfrak{g} : Even if the actions of ad_x^p and $\text{ad}_{x^{[p]}}$ coincide on $\mathfrak{g}_{\bar{0}}$, they do not have to coincide on the whole of \mathfrak{g} . This remark affects even simple Lie superalgebras if $\mathfrak{g}_{\bar{0}}$ has center. We can not say if a p -structure on $\mathfrak{g}_{\bar{0}}$ defines a $p|2p$ -structure on \mathfrak{g} in the case of centerless $\mathfrak{g}_{\bar{0}}$: To define it we need to have, separately, a p -module structure on $\mathfrak{g}_{\bar{1}}$ over $\mathfrak{g}_{\bar{0}}$.

For the case where the Lie superalgebra \mathfrak{g} or even $\mathfrak{g}_{\bar{0}}$ has center, the following definition is more appropriate: \mathfrak{g} is said to be *restricted* if

$$\text{there is given the map } [p]: x \mapsto x^{[p]} \quad \text{for any } x \in \mathfrak{g}_{\bar{0}} \quad (5.3)$$

such that, for any $a \in \mathbb{K}$, we have

$$\begin{aligned} 1) \quad & (ax)^{[p]} = a^p \cdot x^{[p]} \quad \text{for any } x \in \mathfrak{g}_{\bar{0}}, a \in \mathbb{K}, \\ 2) \quad & (x + y)^{[p]} = x^{[p]} + y^{[p]} + \sum_{i=1}^{p-1} s_i(x, y) \quad \text{for any } x, y \in \mathfrak{g}_{\bar{0}}, \\ & \text{where } is_i(x, y) \text{ is the coefficient of } a^{i-1} \text{ in the expression of } (\text{ad}_{ax+y})^{p-1}(x) \\ & \text{for an indeterminate } a, \\ 3) \quad & [x^{[p]}, y] = (\text{ad}_x)^p(y) \quad \text{for any } x \in \mathfrak{g}_{\bar{0}}, y \in \mathfrak{g}. \end{aligned} \quad (5.4)$$

We set

$$[2p]: x \mapsto x^{[2p]} := (x^2)^{[p]} \quad \text{for any } x \in \mathfrak{g}_{\bar{1}}.$$

5.1.1. Remark. If \mathfrak{g} is centerless, we do not need conditions 1) and 2) of (5.4) since they follow from 3).

5.2. Proposition.

- 1) If $p > 2$ (or $p = 2$ but $A_{ii} \neq \bar{1}$ for all i) and $\mathfrak{g}(A)$ is finite-dimensional, then $\mathfrak{g}(A)$ has a $p|2p$ -structure such that

$$(x_\alpha)^{[p]} = 0 \text{ for any even } \alpha \in R \text{ and } x_\alpha \in \mathfrak{g}_\alpha, \quad \mathfrak{h}^{[p]} \subset \mathfrak{h}. \quad (5.5)$$

- 2) If all the entries of A are elements of $\mathbb{Z}/p\mathbb{Z}$, then we can set $h_i^{[p]} = h_i$ for all $i = 1, \dots, n$.
- 3) The quotient modulo center of $\mathfrak{g}(A)$ or $\mathfrak{g}^{(1)}(A)$ always inherits the p -structure of $\mathfrak{g}(A)$ or $\mathfrak{g}^{(1)}(A)$ (if any) whereas $\mathfrak{g}^{(1)}(A)$ does not necessarily inherit the p -structure of $\mathfrak{g}(A)$.

Proof. For the simple Lie algebras, the p -structure is unique if any exists, see [27]. The same proof applies to simple Lie superalgebras and $p|2p$ -structures. The explicit construction completes the proof of headings 1) and 2). To prove 3) a counterexample suffices; we leave it as an exercise to the reader to produce one. ■

5.2.1. Remarks.

- 1) It is not enough to define $p|2p$ -structure on generators, one has to define it on a basis.
- 2) If $p(X_i^\pm) = \bar{1}$, then $(X_i^\pm)^{[p]}$ is not defined unless $p = 2$: Only $(X_i^\pm)^{[2p]}$ is defined.
- 3) For examples of simple Lie superalgebras without Cartan matrix but with a $p|2p$ -structure, see [37]. In addition to the expected examples of the modular versions of Lie superalgebras of vector fields, and the queer analog of the \mathfrak{gl} series, there are – for $p = 2$ – numerous (and hitherto unexpected) queerifications, see [37].

5.2.2 (2, 4)-structure on Lie algebras

If $p = 2$, we encounter a new phenomenon first mentioned in [33]. Namely, let $\mathfrak{g} = \mathfrak{g}_+ \oplus \mathfrak{g}_-$ be a $\mathbb{Z}/2$ -grading of a Lie algebra. We say that \mathfrak{g} has a $(2, -)$ -structure, if there is a 2-structure on \mathfrak{g}_+ but not on \mathfrak{g} . It sometimes happens that this $(2, -)$ -structure can be extended to a⁴ $(2, 4)$ -structure, which means that

$$\text{for any } x \in \mathfrak{g}_- \text{ there exists an } x^{[4]} \in \mathfrak{g}_+ \text{ such that } \text{ad}_x^4 = \text{ad}_{x^{[4]}}. \quad (5.6)$$

For example, if indecomposable symmetrizable matrix A is such that $(\mathfrak{g}(A) = \mathfrak{o}^{(1)}(2n+1))$

$$A_{11} = \bar{1}; \quad A_{ii} = \bar{0} \text{ for } i > 1,$$

and the Lie algebra $\mathfrak{g}(A)$ (i.e., $\mathfrak{g}(A, (\bar{0}, \dots, \bar{0}))$) is finite-dimensional, then $\mathfrak{g}(A)$ has no 2-structure but has a $(2, 4)$ -structure inherited from the Lie **superalgebra** $\mathfrak{g}(A, (\bar{1}, \bar{0}, \dots, \bar{0}))$.

(2, 4|2)-structure on Lie superalgebras. A generalization of the $(2, 4)$ -structure from Lie algebras to Lie superalgebras (such as $\mathfrak{oo}_{\text{III}}^{(1)}(2n+1|2m)$) is natural: Define the $\mathbb{Z}/2$ -grading $\mathfrak{g} = \mathfrak{g}_+ \oplus \mathfrak{g}_-$ of a Lie superalgebra having nothing to do with the parity similarly to that of $\mathfrak{g}(A) = \mathfrak{o}^{(1)}(2n+1)$, and define the squaring on the *plus* part and a $(2, 4)$ -structure on the *minus* part such that the conditions

$$\begin{aligned} \text{ad}_{x^{[2]}}(y) &= \text{ad}_x^2(y) \text{ for all } x \in (\mathfrak{oo}_{\text{III}}^{(1)}(2k_{\bar{0}} + 1|2k_{\bar{1}})_{\bar{0}})_+, \\ \text{ad}_{x^{[4]}}(y) &= \text{ad}_x^4(y) \text{ for all } x \in (\mathfrak{oo}_{\text{III}}^{(1)}(2k_{\bar{0}} + 1|2k_{\bar{1}})_{\bar{0}})_- \end{aligned} \quad (5.7)$$

are satisfied for any $y \in \mathfrak{oo}_{\text{III}}^{(1)}(2k_{\bar{0}} + 1|2k_{\bar{1}})$, not only for $y \in \mathfrak{oo}_{\text{III}}^{(1)}(2k_{\bar{0}} + 1|2k_{\bar{1}})_{\bar{0}}$.

⁴Observe a slightly different notation: $(2, 4)$, not $2|4$.

(2|2)-structure on Lie superalgebras. Lebedev observed that if $p = 2$ and a Lie superalgebra \mathfrak{g} possesses a 2|4-structure, then the Lie algebra $F(\mathfrak{g})$ one gets from \mathfrak{g} by forgetting the superstructure (this is possible since $[x, x] = 2x^2 = 0$ for any odd x) possesses a 2-structure given by

the “2” part of 2|4-structure on the former \mathfrak{g}_0 ;

the squaring on \mathfrak{g}_1 ;

the rule $(x + y)^{[2]} = x^{[2]} + y^{[2]} + [x, y]$ on the formerly inhomogeneous (with respect to parity) elements.

So one can say that if $p = 2$, then any restricted Lie superalgebra \mathfrak{g} (i.e., the one with a 2|4-structure) induces a 2|2-structure on the Lie algebra $F(\mathfrak{g})$ which is defined even on inhomogeneous elements (unlike $p|2p$ -structures defined on homogeneous elements only).

5.2.2.1. Remark. The restricted Lie superalgebra structures resemble (somehow) a hidden supersymmetry of the following well-known fact:

The product of two vector fields is not necessarily a vector field, whereas their commutator always is a vector field. (5.8)

This fact was not considered to be supersymmetric until recently: Dzhumadil'daev investigated a similar phenomenon: For the general and divergence-free Lie algebras of polynomial vector fields in n indeterminates over \mathbb{C} , he investigated for which $N = N(n)$ the anti-symmetrization of the map $D \mapsto D^N$ (i.e., the expression $\sum_{\sigma \in S_N} \text{sign}(\sigma) X_{\sigma(1)} \dots X_{\sigma(N)}$) yields a vector field. For the answer for $n = 2, 3$ and a conjecture, see [16]. But the most remarkable is Dzhumadil'daev's discovery of a hidden supersymmetry of the usual commutator described by a universal odd vector field. Dzhumadil'daev deduced the above fact (5.8) from the following property of odd vector fields:

The product of two vector fields is not necessarily a vector field, whereas the square of any odd field always is a vector field. (5.9)

6 Ortho-orthogonal and periplectic Lie superalgebras

In this section, $p = 2$ and \mathbb{K} is perfect. We also assume that $n_{\bar{0}}, n_{\bar{1}} > 0$. Set $n := n_{\bar{0}} + n_{\bar{1}}$.

6.1 Non-degenerate even supersymmetric bilinear forms and ortho-orthogonal Lie superalgebras

For $p = 2$, there are, in general, four equivalence classes of inequivalent non-degenerate even supersymmetric bilinear forms on a given superspace. Any such form B on a superspace V of superdimension $n_{\bar{0}}|n_{\bar{1}}$ can be decomposed as follows:

$$B = B_{\bar{0}} \oplus B_{\bar{1}},$$

where $B_{\bar{0}}, B_{\bar{1}}$ are symmetric non-degenerate forms on $V_{\bar{0}}$ and $V_{\bar{1}}$, respectively. For $i = \bar{0}, \bar{1}$, the form B_i is equivalent to 1_{n_i} if n_i is odd, and equivalent to 1_{n_i} or Π_{n_i} if n_i is even. So every non-degenerate even symmetric bilinear form is equivalent to one of the following forms (some of them are defined not for all dimensions):

$$\begin{aligned} B_{\text{II}} &= 1_{n_{\bar{0}}} \oplus 1_{n_{\bar{1}}}; & B_{\text{III}} &= 1_{n_{\bar{0}}} \oplus \Pi_{n_{\bar{1}}} \text{ if } n_{\bar{1}} \text{ is even;} \\ B_{\text{III}} &= \Pi_{n_{\bar{0}}} \oplus 1_{n_{\bar{1}}} \text{ if } n_{\bar{0}} \text{ is even;} & B_{\text{III}} &= \Pi_{n_{\bar{0}}} \oplus \Pi_{n_{\bar{1}}} \text{ if } n_{\bar{0}}, n_{\bar{1}} \text{ are even.} \end{aligned}$$

We denote the Lie superalgebras that preserve the respective forms by $\mathfrak{oo}_{\text{II}}(n_{\bar{0}}|n_{\bar{1}})$, $\mathfrak{oo}_{\text{III}}(n_{\bar{0}}|n_{\bar{1}})$, $\mathfrak{oo}_{\text{III}}(n_{\bar{0}}|n_{\bar{1}})$, respectively. Now let us describe these algebras.

6.1.1 $\mathfrak{so}_{\text{II}}(n_{\bar{0}}|n_{\bar{1}})$

If $n := n_{\bar{0}} + n_{\bar{1}} \geq 3$, then the Lie superalgebra $\mathfrak{so}_{\text{II}}^{(1)}(n_{\bar{0}}|n_{\bar{1}})$ is simple. This Lie superalgebra has a 2|4-structure; it **has no Cartan matrix**.

6.1.1.1. Remark. To prove that a given Lie (super)algebra \mathfrak{g} has no Cartan matrix, we have to consider its maximal tori, and for each of them, take the corresponding root grading. Then, if the simple roots are impossible to define, or the elements of weight 0 do not commute, etc. – if any of the requirements needed to define the Lie (super)algebra with Cartan matrix is violated – we are done. We skip such proofs in what follows.

6.1.2 $\mathfrak{so}_{\text{III}}(n_{\bar{0}}|n_{\bar{1}})$ ($n_{\bar{1}} = 2k_{\bar{1}}$)

The Lie superalgebra $\mathfrak{so}_{\text{III}}(2k_{\bar{0}} + 1|2k_{\bar{1}})$ possesses a 2|4-structure.

The Lie superalgebra $\mathfrak{so}_{\text{III}}^{(1)}(n_{\bar{0}}|n_{\bar{1}})$ is simple;

$$\mathfrak{so}_{\text{III}}^{(1)}(2k_{\bar{0}} + 1|2k_{\bar{1}}) \text{ possesses } \begin{cases} 2|4\text{-structure} & \text{if } n_{\bar{0}} = 1 \ (k_{\bar{0}} = 0), \\ (2, 4|2)\text{-structure} & \text{if } n_{\bar{0}} > 1 \ (k_{\bar{0}} > 0); \end{cases}$$

$\mathfrak{so}_{\text{III}}^{(1)}(n_{\bar{0}}|n_{\bar{1}})$ has a Cartan matrix if and only if $n_{\bar{0}}$ is odd; this matrix has the following form (up to a format; all possible formats – corresponding to $*$ = 0 or $*$ = $\bar{0}$ – are described in Table Section 14 below):

$$\begin{pmatrix} \ddots & \ddots & \ddots & \vdots \\ \ddots & * & 1 & 0 \\ \ddots & 1 & * & 1 \\ \cdots & 0 & 1 & 1 \end{pmatrix}. \quad (6.1)$$

6.1.3 $\mathfrak{so}_{\text{III}}(n_{\bar{0}}|n_{\bar{1}})$ ($n_{\bar{0}} = 2k_{\bar{0}}, n_{\bar{1}} = 2k_{\bar{1}}$)

If $n = n_{\bar{0}} + n_{\bar{1}} \geq 6$, then

$$\begin{aligned} &\text{if } k_{\bar{0}} + k_{\bar{1}} \text{ is odd, then the Lie superalgebra } \mathfrak{so}_{\text{III}}^{(2)}(n_{\bar{0}}|n_{\bar{1}}) \text{ is simple;} \\ &\text{if } k_{\bar{0}} + k_{\bar{1}} \text{ is even, then the Lie superalgebra } \mathfrak{so}_{\text{III}}^{(2)}(n_{\bar{0}}|n_{\bar{1}})/\mathbb{K}1_{n_{\bar{0}}|n_{\bar{1}}} \text{ is simple.} \end{aligned} \quad (6.2)$$

Each of these simple Lie superalgebras has a 2|4-structure; it is also close to a Lie superalgebra with Cartan matrix. To describe this CM Lie superalgebra in most simple terms, we will choose a slightly different realization of $\mathfrak{so}_{\text{III}}(2k_{\bar{0}}|2k_{\bar{1}})$: Let us consider it as the algebra of linear transformations that preserve the bilinear form $\Pi(2k_{\bar{0}} + 2k_{\bar{1}})$ in the format $k_{\bar{0}}|k_{\bar{1}}|k_{\bar{0}}|k_{\bar{1}}$. Then the algebra $\mathfrak{so}_{\text{III}}^{(i)}(2k_{\bar{0}}|2k_{\bar{1}})$ is spanned by supermatrices of format $k_{\bar{0}}|k_{\bar{1}}|k_{\bar{0}}|k_{\bar{1}}$ and the form

$$\begin{pmatrix} A & C \\ D & A^T \end{pmatrix}, \quad \text{where } \begin{cases} A \in \begin{cases} \mathfrak{gl}(k_{\bar{0}}|k_{\bar{1}}) & \text{if } i \leq 1, \\ \mathfrak{sl}(k_{\bar{0}}|k_{\bar{1}}) & \text{if } i \geq 2, \end{cases} \\ C, D \text{ are } \begin{cases} \text{symmetric matrices} & \text{if } i = 0, \\ \text{symmetric zero-diagonal matrices} & \text{if } i \geq 1. \end{cases} \end{cases} \quad (6.3)$$

If $i \geq 1$, these derived algebras have a non-trivial central extension given by the following cocycle:

$$F \left(\begin{pmatrix} A & C \\ D & A^T \end{pmatrix}, \begin{pmatrix} A' & C' \\ D' & A'^T \end{pmatrix} \right) = \sum_{1 \leq i < j \leq k_{\bar{0}} + k_{\bar{1}}} (C_{ij} D'_{ij} + C'_{ij} D_{ij}) \quad (6.4)$$

(note that this expression resembles $\frac{1}{2} \operatorname{tr}(CD' + C'D)$). We will denote this central extension of $\mathfrak{so}_{\text{III}}^{(i)}(2k_{\bar{0}}|2k_{\bar{1}})$ by $\mathfrak{sooc}(i, 2k_{\bar{0}}|2k_{\bar{1}})$.

Let

$$I_0 := \operatorname{diag}(1_{k_{\bar{0}}|k_{\bar{1}}}, 0_{k_{\bar{0}}|k_{\bar{1}}}). \quad (6.5)$$

Then the corresponding CM Lie superalgebra is

$$\begin{aligned} \mathfrak{sooc}(2, 2k_{\bar{0}}|2k_{\bar{1}}) &\in \mathbb{K}I_0 \text{ if } k_{\bar{0}} + k_{\bar{1}} \text{ is odd;} \\ \mathfrak{sooc}(1, 2k_{\bar{0}}|2k_{\bar{1}}) &\in \mathbb{K}I_0 \text{ if } k_{\bar{0}} + k_{\bar{1}} \text{ is even.} \end{aligned} \quad (6.6)$$

The corresponding Cartan matrix has the form (up to format; all possible formats – corresponding to $*$ = 0 or $*$ = $\bar{0}$ – are described in Table Section 14 below):

$$\begin{pmatrix} \ddots & \ddots & \ddots & \vdots & \vdots \\ \ddots & * & 1 & 0 & 0 \\ \ddots & 1 & * & 1 & 1 \\ \cdots & 0 & 1 & \bar{0} & 0 \\ \cdots & 0 & 1 & 0 & \bar{0} \end{pmatrix}. \quad (6.7)$$

6.2 The non-degenerate odd supersymmetric bilinear forms. Periplectic Lie superalgebras

In this subsection, $m \geq 3$.

$$\begin{aligned} \text{If } m \text{ is odd, then the Lie superalgebra } \mathfrak{pe}_B^{(2)}(m) &\text{ is simple;} \\ \text{If } m \text{ is even, then the Lie superalgebra } \mathfrak{pe}_B^{(2)}(m)/\mathbb{K}1_{m|m} &\text{ is simple.} \end{aligned} \quad (6.8)$$

If we choose the form B to be $\Pi_{m|m}$, then the algebras $\mathfrak{pe}_B^{(i)}(m)$ consist of matrices of the form (6.3); the only difference from $\mathfrak{so}_{\text{III}}^{(i)}$ is the format which in this case is $m|m$.

Each of these simple Lie superalgebras has a 2-structure. Note that if $p \neq 2$, then the Lie superalgebra $\mathfrak{pe}_B(m)$ and its derived algebras are not close to CM Lie superalgebras (because, for example, their root system is not symmetric). If $p = 2$ and $m \geq 3$, then they **are** close to CM Lie superalgebras; here we describe them.

The algebras $\mathfrak{pe}_B^{(i)}(m)$, where $i > 0$, have non-trivial central extensions with cocycles (6.4); we denote these central extensions by $\mathfrak{pec}(i, m)$. Let us introduce one more matrix

$$I_0 := \operatorname{diag}(1_m, 0_m). \quad (6.9)$$

Then the CM Lie superalgebras are

$$\begin{aligned} \mathfrak{pec}(2, m) &\in \mathbb{K}I_0 \text{ if } m \text{ is odd;} \\ \mathfrak{pec}(1, m) &\in \mathbb{K}I_0 \text{ if } m \text{ is even.} \end{aligned} \quad (6.10)$$

The corresponding Cartan matrix has the form (6.7); the only condition on its format is that the last two simple roots must have distinct parities. The corresponding Dynkin diagram is shown in Table Section 14; all its nodes, except for the “horns”, may be both \otimes or \odot , see (7.1).

6.3 Superdimensions

The following expressions (with a + sign) are the superdimensions of the relatives of the orthogonal and periplectic Lie superalgebras that possess Cartan matrices. To get the superdimensions of the simple relatives, one should replace +2 and +1 by -2 and -1, respectively, in the two first lines and the four last ones:

$$\begin{aligned}
\dim \mathfrak{oc}(1; 2k) \in \mathbb{K}I_0 &= 2k^2 - k \pm 2 && \text{if } k \text{ is even;} \\
\dim \mathfrak{oc}(2; 2k) \in \mathbb{K}I_0 &= 2k^2 - k \pm 1 && \text{if } k \text{ is odd;} \\
\dim \mathfrak{o}^{(1)}(2k+1) &= 2k^2 + k; \\
\text{sdim } \mathfrak{oo}^{(1)}(2k_{\bar{0}} + 1 | 2k_{\bar{1}}) &= 2k_{\bar{0}}^2 + k_{\bar{0}} + 2k_{\bar{1}}^2 + k_{\bar{1}} \mid 2k_{\bar{1}}(2k_{\bar{0}} + 1); && (6.11) \\
\text{sdim } \mathfrak{oooc}(1; 2k_{\bar{0}} | 2k_{\bar{1}}) \in \mathbb{K}I_0 &= 2k_{\bar{0}}^2 - k_{\bar{0}} + 2k_{\bar{1}}^2 - k_{\bar{1}} \pm 2 \mid 4k_{\bar{0}}k_{\bar{1}} && \text{if } k_{\bar{0}} + k_{\bar{1}} \text{ is even;} \\
\text{sdim } \mathfrak{oooc}(2; 2k_{\bar{0}} | 2k_{\bar{1}}) \in \mathbb{K}I_0 &= 2k_{\bar{0}}^2 - k_{\bar{0}} + 2k_{\bar{1}}^2 - k_{\bar{1}} \pm 1 \mid 4k_{\bar{0}}k_{\bar{1}} && \text{if } k_{\bar{0}} + k_{\bar{1}} \text{ is odd;} \\
\text{sdim } \mathfrak{pec}(1; m) \in \mathbb{K}I_0 &= m^2 \pm 2 \mid m^2 - m && \text{if } m \text{ is even;} \\
\text{sdim } \mathfrak{pec}(2; m) \in \mathbb{K}I_0 &= m^2 \pm 1 \mid m^2 - m && \text{if } m \text{ is odd.}
\end{aligned}$$

6.3.1 Summary: The types of Lie superalgebras preserving non-degenerate symmetric forms

Let

$$\widehat{\mathfrak{g}} := \mathfrak{g} \in \mathbb{K}I_0. \quad (6.12)$$

We have the following types of non-isomorphic Lie (super) algebras (except for an occasional isomorphism intermixing the types, e.g., $\mathfrak{oo}_{\text{III}}^{(1)}(6|2) \simeq \mathfrak{pe}^{(1)}(4)$):

no relative has Cartan matrix	with Cartan matrix	
$\mathfrak{oo}_{\text{II}}(2n+1 2m+1), \mathfrak{oo}_{\text{II}}(2n+1 2m)$	$\widehat{\mathfrak{oc}(i; 2n)}, \mathfrak{o}^{(1)}(2n+1); \widehat{\mathfrak{pec}(i; k)}$	(6.13)
$\mathfrak{oo}_{\text{II}}(2n 2m), \mathfrak{oo}_{\text{III}}(2n 2m); \mathfrak{o}_{\text{I}}(2n);$	$\widehat{\mathfrak{oooc}(i; 2n 2m)}, \mathfrak{oo}_{\text{III}}^{(1)}(2n+1 2m)$	

The superdimensions are as follows (in the second and third column stand the additions to the superdimensions in the first column):

$\text{sdim } \mathfrak{oo}_{\text{II}}(a b)$	$\text{sdim } \mathfrak{oo}_{\text{II}}^{(1)}(a b)$	$\text{sdim } \mathfrak{oo}_{\text{II}}^{(2)}(a b)$	
$\frac{1}{2}a(a+1) + \frac{1}{2}b(b+1) \mid ab$	$-1 0$		
$\text{sdim } \mathfrak{oo}_{\text{III}}(a b)$	$\text{sdim } \mathfrak{oo}_{\text{III}}^{(1)}(a b)$	$\text{sdim } \mathfrak{oo}_{\text{III}}^{(2)}(a b)$	(6.14)
$\frac{1}{2}a(a+1) + \frac{1}{2}b(b+1) \mid ab$	$-a 0$		
$\text{sdim } \mathfrak{oo}_{\text{III}}(a b)$	$\text{sdim } \mathfrak{oo}_{\text{III}}^{(1)}(a b)$	$\text{sdim } \mathfrak{oo}_{\text{III}}^{(2)}(a b)$	
$\frac{1}{2}a(a+1) + \frac{1}{2}b(b+1) \mid ab$	$-a-b 0$	$-1 0$	

7 Dynkin diagrams

A usual way to represent simple Lie algebras over \mathbb{C} with integer Cartan matrices is via graphs called, in the finite dimensional case, *Dynkin diagrams* (DD). The Cartan matrices of certain interesting infinite dimensional simple Lie superalgebras \mathfrak{g} (even over \mathbb{C}) can be non-symmetrizable or (for any p in the super case and for $p > 0$ in the non-super case) have entries belonging to the ground field \mathbb{K} . Still, it is always possible to assign an analog of the Dynkin diagram to each (modular) Lie (super)algebra (with Cartan matrix, of course) provided the edges and nodes of

the graph (DD) are rigged with an extra information. Although these analogs of the Dynkin graphs are not uniquely recovered from the Cartan matrix (and the other way round), they give a graphic presentation of the Cartan matrices and help to observe some hidden symmetries.

Namely, the *Dynkin diagram* of a normalized $n \times n$ Cartan matrix A is a set of n nodes connected by multiple edges, perhaps endowed with an arrow, according to the usual rules [28] or their modification, most naturally formulated by Serganova: compare [47, 20] with [21]. In what follows, we recall these rules, and further improve them to fit the modular case.

7.1 Nodes

To every simple root there corresponds

$$\left\{ \begin{array}{ll} \text{a node } \circ & \text{if } p(\alpha_i) = \bar{0} \text{ and } A_{ii} = 2, \\ \text{a node } * & \text{if } p(\alpha_i) = \bar{0} \text{ and } A_{ii} = \bar{1}; \\ \text{a node } \bullet & \text{if } p(\alpha_i) = \bar{1} \text{ and } A_{ii} = 1; \\ \text{a node } \otimes & \text{if } p(\alpha_i) = \bar{1} \text{ and } A_{ii} = 0, \\ \text{a node } \odot & \text{if } p(\alpha_i) = \bar{0} \text{ and } A_{ii} = \bar{0}. \end{array} \right. \quad (7.1)$$

The Lie algebras $\mathfrak{sl}(2)$ and $\mathfrak{o}(3)^{(1)}$ with Cartan matrices (2) and ($\bar{1}$), respectively, and the Lie superalgebra $\mathfrak{osp}(1|2)$ (which is $\mathfrak{so}_{\text{III}}^{(1)}(1|2)$ if $p = 2$) with Cartan matrix (1) are simple.

The Lie algebra with Cartan matrix ($\bar{0}$) and the Lie superalgebra with Cartan matrix (0) are solvable of $\dim 4$ and $\text{sdim } 2|2$, respectively. Their derived algebras are *Heisenberg algebra* $\mathfrak{hei}(2) \simeq \mathfrak{hei}(2|0)$ and *Heisenberg superalgebra* $\mathfrak{hei}(0|2) \simeq \mathfrak{sl}(1|1)$, respectively; their (super)dimensions are 3 and $1|2$, respectively.

7.1.1 Digression

Let $\xi = (\xi_1, \dots, \xi_n)$ and $\eta = (\eta_1, \dots, \eta_m)$ be odd elements, $p = (p_1, \dots, p_m)$, $q = (q_1, \dots, q_m)$ and z even elements. $\mathfrak{hei}(2m|2n) = \text{Span}(p, q, \xi, \eta, z)$, where the brackets are

$$[p_i, q_j] = \delta_{ij}z, \quad [\xi_i, \eta_j] = \delta_{ij}z, \quad [z, \mathfrak{hei}(2m|2n)] = 0. \quad (7.2)$$

In what follows we will need the Lie superalgebra $\mathfrak{hei}(2m|2n)$ (for the cases where $mn = 0$) and its only (up to the change of parity) non-trivial irreducible representation, called the *Fock space*, which in characteristic p is $\mathbb{K}[q, \xi]/(q_1^p, \dots, q_m^p)$ on which the elements q_i and ξ_j act as operators of left multiplication by q_i and ξ_j , respectively, whereas p_i and η_j act as $h\partial_{q_i}$ and $h\partial_{\xi_j}$, where $h \in \mathbb{K} \setminus \{0\}$ can be fixed to be equal to 1 by a change of the basis.

7.1.2. Remark. *A posteriori* (from the classification of simple Lie superalgebras with Cartan matrix and of polynomial growth for $p = 0$) we find out that the roots \odot can only occur if $\mathfrak{g}(A, I)$ grows faster than polynomially. Thanks to classification again, if $\dim \mathfrak{g} < \infty$, the roots of type \odot can not occur if $p > 3$; whereas for $p = 3$, the Brown Lie algebras are examples of $\mathfrak{g}(A)$ with a simple root of type \odot ; for $p = 2$, such roots are routine.

7.2 Edges

If $p = 2$ and $\dim \mathfrak{g}(A) < \infty$, the Cartan matrices considered are symmetric. If $A_{ij} = a$, where $a \neq 0$ or 1, then we rig the edge connecting the i th and j th nodes by a label a .

If $p > 2$ and $\dim \mathfrak{g}(A) < \infty$, then A is symmetrizable, so let us symmetrize it, i.e., consider DA for an invertible diagonal matrix D . Then, if $(DA)_{ij} = a$, where $a \neq 0$ or -1 , we rig the edge connecting the i th and j th nodes by a label a .

If all off-diagonal entries of A belong to \mathbb{Z}/p and their representatives are selected to be non-positive integers, we can draw the DD as for $p = 0$, i.e., connect the i th node with the j th one by $\max(|A_{ij}|, |A_{ji}|)$ edges rigged with an arrow $>$ pointing from the i th node to the j th if $|A_{ij}| > |A_{ji}|$ or in the opposite direction if $|A_{ij}| < |A_{ji}|$.

7.3 Reflections

Let R^+ be a system of positive roots of Lie superalgebra \mathfrak{g} , and let $B = \{\sigma_1, \dots, \sigma_n\}$ be the corresponding system of simple roots with some corresponding pair $(A = A_B, I = I_B)$. Then for any $k \in \{1, \dots, n\}$, the set $(R^+ \setminus \{\sigma_k\}) \amalg \{-\sigma_k\}$ is a system of positive roots. This operation is called *the reflection in σ_k* ; it changes the system of simple roots by the formulas

$$r_{\sigma_k}(\sigma_j) = \begin{cases} -\sigma_j & \text{if } k = j, \\ \sigma_j + B_{kj}\sigma_k & \text{if } k \neq j, \end{cases} \quad (7.3)$$

where

$$B_{kj} = \begin{cases} -\frac{2A_{kj}}{A_{kk}} & \text{if } i_k = \bar{0}, A_{kk} \neq 0, \text{ and } -\frac{2A_{kj}}{A_{kk}} \in \mathbb{Z}/p\mathbb{Z}, \\ p-1 & \text{if } i_k = \bar{0}, A_{kk} \neq 0 \text{ and } -\frac{2A_{kj}}{A_{kk}} \notin \mathbb{Z}/p\mathbb{Z}, \\ -\frac{A_{kj}}{A_{kk}} & \text{if } i_k = \bar{1}, A_{kk} \neq 0, \text{ and } -\frac{A_{kj}}{A_{kk}} \in \mathbb{Z}/p\mathbb{Z}, \\ p-1 & \text{if } i_k = \bar{1}, A_{kk} \neq 0, \text{ and } -\frac{A_{kj}}{A_{kk}} \notin \mathbb{Z}/p\mathbb{Z}, \\ 1 & \text{if } i_k = \bar{1}, A_{kk} = 0, A_{kj} \neq 0, \\ 0 & \text{if } i_k = \bar{1}, A_{kk} = A_{kj} = 0, \\ p-1 & \text{if } i_k = \bar{0}, A_{kk} = \bar{0}, A_{kj} \neq 0, \\ 0 & \text{if } i_k = \bar{0}, A_{kk} = \bar{0}, A_{kj} = 0, \end{cases} \quad (7.4)$$

where we consider $\mathbb{Z}/p\mathbb{Z}$ as a subfield of \mathbb{K} .

7.3.1. Remark. In the second, fourth and penultimate cases, the matrix entries in (7.4) can, in principle, be equal to $kp - 1$ for any $k \in \mathbb{N}$, and in the last case any element of \mathbb{K} may occur. We may only hope at this stage that, at least for $\dim \mathfrak{g} < \infty$, this does not happen.

The values $-\frac{2A_{kj}}{A_{kk}}$ and $-\frac{A_{kj}}{A_{kk}}$ are elements of \mathbb{K} , while the roots are elements of a vector space over \mathbb{R} . Therefore *These expressions in the first and third cases in (7.4) should be understood as “the minimal non-negative integer congruent to $-\frac{2A_{kj}}{A_{kk}}$ or $-\frac{A_{kj}}{A_{kk}}$, respectively”.* (If $\dim \mathfrak{g} < \infty$, these expressions are always congruent to integers.)

There is known just one exception: If $p = 2$ and $A_{kk} = A_{jk}$, the expression $-\frac{2A_{jk}}{A_{kk}}$ should be understood as 2, not 0.

The name “reflection” is used because in the case of (semi)simple finite-dimensional Lie algebras this action extended on the whole R by linearity is a map from R to R , and it does not depend on R^+ , only on σ_k . This map is usually denoted by r_{σ_k} or just r_k . The map r_{σ_i} extended to the \mathbb{R} -span of R is reflection in the hyperplane orthogonal to σ_i relative the bilinear form dual to the Killing form.

The reflections in the even (odd) roots are referred to as *even (odd) reflections*. A simple root is called *isotropic*, if the corresponding row of the Cartan matrix has zero on the diagonal, and *non-isotropic* otherwise. The reflections that correspond to isotropic or non-isotropic roots will be referred to accordingly.

If there are isotropic simple roots, the reflections r_α do not, as a rule, generate a version of the *Weyl group* because the product of two reflections in nodes not connected by one (perhaps, multiple) edge is not defined. These reflections just connect pair of “neighboring” systems of simple roots and there is no reason to expect that we can multiply two distinct such reflections. In the general case (of Lie superalgebras and $p > 0$), the action of a given isotropic reflections (7.3) can not, generally, be extended to a linear map $R \rightarrow R$. For Lie superalgebras over \mathbb{C} , one can extend the action of reflections by linearity to the root lattice but this extension preserves the root system only for $\mathfrak{sl}(m|n)$ and $\mathfrak{osp}(2m+1|2n)$, cf. [48].

If σ_i is an odd isotropic root, then the corresponding reflection sends one set of Chevalley generators into a new one:

$$\tilde{X}_i^\pm = X_i^\mp; \quad \tilde{X}_j^\pm = \begin{cases} [X_i^\pm, X_j^\pm] & \text{if } A_{ij} \neq 0, \bar{0}, \\ X_j^\pm & \text{otherwise.} \end{cases} \quad (7.5)$$

7.3.2 Lebedev’s lemma

Serganova [47] proved (for $p = 0$) that there is always a chain of reflections connecting B_1 with some system of simple roots B'_2 equivalent to B_2 in the sense of definition 4.6. Here is the modular version of Serganova’s Lemma. Observe that Serganova’s statement is not weaker: Serganova used only odd reflections.

Lemma ([37]). *For any two systems of simple roots B_1 and B_2 of any finite dimensional Lie superalgebra with indecomposable Cartan matrix, there is always a chain of reflections connecting B_1 with B_2 .*

8 A careful study of an example

Now let $p = 2$ and let us apply all the above to the Lie superalgebra $\mathfrak{pe}(k)$ (the situation with $\mathfrak{o}_\Pi(2k)$ and $\mathfrak{so}_{\Pi\Pi}(2k_{\bar{0}}|2k_{\bar{1}})$ is the same). For the Cartan matrix (all possible formats – corresponding to $* = 0$ or $* = \bar{0}$ – are listed in Table Section 14) we take

$$A = \begin{pmatrix} \ddots & \ddots & \ddots & \ddots \\ \cdots & * & 1 & 1 \\ \cdots & 1 & 0 & 0 \\ \cdots & 1 & 0 & \bar{0} \end{pmatrix}. \quad (8.1)$$

The Lie superalgebra $\mathfrak{pe}^{(i)}(k)$ consists of supermatrices of the form

$$\begin{pmatrix} B & C \\ D & B^T \end{pmatrix},$$

where

$$\begin{aligned} \text{for } i = 0, & \text{ we have } B \in \mathfrak{gl}(k), C, D \text{ are symmetric;} \\ \text{for } i = 1, & \text{ we have } B \in \mathfrak{gl}(k), C, D \text{ are symmetric zero-diagonal;} \\ \text{for } i = 2, & \text{ we have } B \in \mathfrak{sl}(k), C, D \text{ are symmetric zero-diagonal.} \end{aligned} \quad (8.2)$$

We expect (by analogy with the orthogonal Lie algebras in characteristic $\neq 2$) that

$$\begin{aligned} e_i^+ &= E_{i,i+1} + E_{k+i+1,k+i}; & e_i^- &= E_{i+1,i} + E_{k+i,k+i+1} \quad \text{for } i = 1, \dots, k-1; \\ e_k^+ &= E_{k-1,2k} + E_{k,2k-1}; & e_k^- &= E_{2k-1,k} + E_{2k,k-1}. \end{aligned} \quad (8.3)$$

Let us first consider the (simpler) case of k odd. Then $\text{rk } A = k - 1$ since the sum of the last two rows is zero. Let us start with the simple algebra $\mathfrak{pe}^{(2)}(k)$. The Cartan subalgebra (i.e., the subalgebra of diagonal matrices) is $(k - 1)$ -dimensional because the elements $[e_1^+, e_1^-], \dots, [e_{k-1}^+, e_{k-1}^-]$ are linearly independent, whereas $[e_k^+, e_k^-] = [e_{k-1}^+, e_{k-1}^-]$. Thus, we should first find a non-trivial central extension, spanned by z satisfying the condition

$$z = [e_k^+, e_k^-] + [e_{k-1}^+, e_{k-1}^-]. \quad (8.4)$$

Elucidation: The values of e_i^\pm in (8.3) are what we *expect* them to be from their $p = 0$ analogs. But from the definition of CM Lie superalgebra we see that the algebra must have a center z , see (8.4). Thus, the CM Lie superalgebra is not $\mathfrak{pe}^{(2)}(k)$ but is spanned by the central extension of $\mathfrak{pe}^{(2)}(k)$ plus the grading operator defined from (4.6). The extension $\mathfrak{pec}(2, k)$ described in (6.4) satisfies this condition.

Now let us choose B to be $(0, \dots, 0, 1)$. Then we need to add to the algebra a grading operator d such that

$$\begin{aligned} [d, e_i^\pm] &= 0 \text{ for all } i = 1, \dots, k-1; \\ [d, e_k^\pm] &= e_k^\pm; \\ d &\text{ commutes with all diagonal matrices.} \end{aligned} \quad (8.5)$$

The matrix $I_0 = \text{diag}(1_k, 0_k)$ satisfies all these conditions. Thus, the corresponding CM Lie superalgebra is

$$\mathfrak{pec}(2, k) \in \mathbb{K}I_0. \quad (8.6)$$

Remark. Rather often we need ideals of CM Lie (super)algebras that do not contain the outer grading operator(s), cf. Section 4.1. These ideals, such as $\mathfrak{pec}(2, k)$ or $\mathfrak{sl}(n|n)$, do not have Cartan matrix.

Now let us consider the case of k even. Then the simple algebra is $\mathfrak{pe}^{(2)}(k)/(\mathbb{K}1_{2k})$. The Cartan matrix is of rank $k - 2$:

$$\begin{aligned} \text{(a) the sum of the last two rows is zero;} \\ \text{(b) the sum of all the rows with odd numbers is zero.} \end{aligned} \quad (8.7)$$

The condition (8.7a) gives us the same central extension and the same grading operator as in the previous case.

To satisfy condition (8.7b), we should find a non-trivial central extension such that

$$z = \sum_{i \text{ is odd}} [e_i^+, e_i^-].$$

(This formula follows from (4.5) and the 2nd equality in (8.7).) But we can see that, in $\mathfrak{pe}^{(2)}(k)$, we have

$$\sum_{i \text{ is odd}} [e_i^+, e_i^-] = \sum_{i \text{ is odd}} (E_{i,i} + E_{i+1,i+1} + E_{k+i,k+i} + E_{k+i+1,k+i+1}) = 1_{2k}.$$

It means that the corresponding central extension of $\mathfrak{pe}^{(2)}(k)/(\mathbb{K}1_{2k})$ is just $\mathfrak{pe}^{(2)}(k)$.

Now, concerning the grading operator: Let the second row of B be $(1, 0, \dots, 0)$ (the first row is, as in the previous case, $(0, \dots, 0, 1)$). Then we need a grading operator d_2 such that

$$\begin{aligned} [d_2, e_1^\pm] &= e_1^\pm; \\ [d_2, e_i^\pm] &= 0 \text{ for all } i > 1; \\ d_2 &\text{ commutes with all diagonal matrices.} \end{aligned} \quad (8.8)$$

The matrix $d_2 := E_{1,1} + E_{k+1,k+1}$ satisfies these conditions. But $\mathfrak{pe}^{(2)}(k) \in \mathbb{K}(E_{1,1} + E_{k+1,k+1})$ is just $\mathfrak{pe}^{(1)}(k)$. So, the resulting CM Lie superalgebra is

$$\mathfrak{pec}(1, k) \in \mathbb{K}I_0.$$

9 Main steps of our classification

In this section we deal with Lie (super)algebras of the form $\mathfrak{g}(A)$ or their simple subquotients $\mathfrak{g}(A)^{(i)}/\mathfrak{c}$, where $i = 1$ or 2 .

9.1 Step 1: An overview of known results

Lie algebras (nothing super). There are known the two methods of classification:

1) Over \mathbb{C} , Cartan [10] did not use any roots, instead he used what is nowadays called in his honor *Cartan prolongations* and a generalization (which he never formulated explicitly) of this procedure which we call *CTS-ing* (*Cartan–Tanaka–Shchepochkina prolonging*).

2) Nowadays, to get the shortest classification of the simple finite dimensional Lie algebras, everybody (e.g. [8, 41]) uses root technique and the non-degenerate invariant symmetric bilinear form (the Killing form).

In the **modular** case, as well as in the **super** case, and in the mixture of these cases we consider here, the Killing form might be identically zero. However, if the Cartan matrix A is symmetrizable (and indecomposable), on the Lie (super)algebra $\mathfrak{g}(A)$ if $\mathfrak{g}(A)$ is simple (or on $\mathfrak{g}(A)^{(i)}/\mathfrak{c}$ if $\mathfrak{g}(A)$ is not simple), there is a non-degenerate replacement of the Killing form. (Astonishingly, this replacement might sometimes be not coming from any representation, see [46]. Much earlier Kaplansky observed a similar phenomenon in the modular case and associated the non-degenerate bilinear form with a *projective* representation. Kaplansky pointed at this phenomenon in his wonderful preprints [31] which he modestly did not publish.)

In the modular case, and in the super case for $p = 0$, this approach – to use a non-degenerate even invariant symmetric form in order to classify the simple algebras – was pursued by Kaplansky [31].

For $p > 0$, Weisfeiler and Kac [54] gave a classification, but although the idea of their proof is OK, the paper has several gaps and vague notions (the Brown algebra $\mathfrak{br}(3)$ was missed, whereas Brown [9] who discovered it did not write that it possesses Cartan matrix, actually two inequivalent matrices first observed by Skryabin [50, 30]; the notion of the Lie algebra with Cartan matrix nicely formulated in [28] was not properly developed at the time [54] was written; the Dynkin diagrams mentioned there were not defined at all in the modular case; the algebras $\mathfrak{g}(A)$ and $\mathfrak{g}(A)^{(i)}/\mathfrak{c}$ were sometimes identified). The case $p > 3$ being completely investigated by Block, Wilson, Premet and Strade [42, 52] (see also [1]), we double-checked the cases where $p < 5$. The answer of [54] \cup [50] is correct.

Lie superalgebras.

Over \mathbb{C} , for *any* Lie algebra \mathfrak{g}_0 , Kac [29] listed all

$$\mathfrak{g}_0\text{-modules } \mathfrak{g}_1 \text{ such that the Lie superalgebra } \mathfrak{g} = \mathfrak{g}_0 \oplus \mathfrak{g}_1 \text{ is simple.} \quad (9.1)$$

Kaplansky [31, 22, 32], Djoković and Hochschild [15], and also Scheunert, Nahm and Rittenberg [45] had their own approaches to the problem (9.1) and solved it without gaps for various particular cases, but they did not investigate which of the simple finite dimensional Lie superalgebras possess Cartan matrix.

Kac observed that (a) some of the simple Lie superalgebras (9.1) possess analogs of Cartan matrix, (b) one Lie superalgebra may have several inequivalent Cartan matrices. His first list of inequivalent Cartan matrices (in other words, distinct \mathbb{Z} -gradings) for finite dimensional Lie superalgebras $\mathfrak{g}(A)$ in [29] had gaps; Serganova [47] and (by a different method and only for symmetrizable matrices) van de Leur [53] fixed the gaps and even classified Lie superalgebras of polynomial growth (for the proof in the non-symmetrizable case, announced 20 years earlier, see [26]). Kac also suggested analogs of Dynkin diagrams to graphically encode the Cartan matrices.

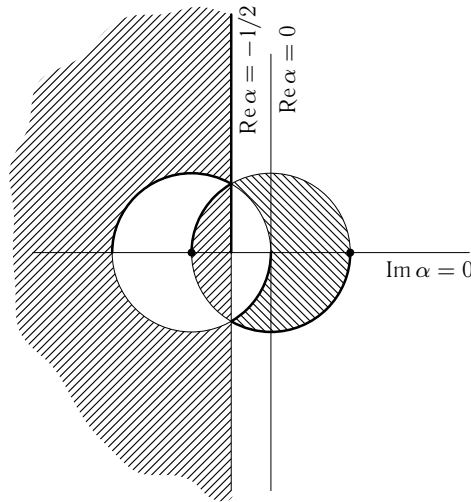
Kaplansky was the first (see his newsletters in [31]) to discover the exceptional algebras $\mathfrak{ag}(2)$ and $\mathfrak{ab}(3)$ (he dubbed them Γ_2 and Γ_3 , respectively) and a parametric family $\mathfrak{osp}(4|2; \alpha)$ (he dubbed it $\Gamma(A, B, C)$); our notations reflect the fact that $\mathfrak{ag}(2)_{\bar{0}} = \mathfrak{sl}(2) \oplus \mathfrak{g}(2)$ and $\mathfrak{ab}(3)_{\bar{0}} = \mathfrak{sl}(2) \oplus \mathfrak{o}(7)$ ($\mathfrak{o}(7)$ is B_3 in Cartan's nomenclature). Kaplansky's description (irrelevant to us at the moment except for the fact that A, B and C are on equal footing) of what we now identify as $\mathfrak{osp}(4|2; \alpha)$, a parametric family of deforms of $\mathfrak{osp}(4|2)$, made an S_3 -symmetry of the parameter manifest (to A. A. Kirillov, and he informed us, in 1976). Indeed, since $A + B + C = 0$, and $\alpha \in \mathbb{C} \cup \infty$ is the ratio of the two remaining parameters, we get an S_3 -action on the plane $A + B + C = 0$ which in terms of α is generated by the transformations:

$$\alpha \mapsto -1 - \alpha, \quad \alpha \mapsto \frac{1}{\alpha}. \quad (9.2)$$

This symmetry should have immediately sprang to mind since $\mathfrak{osp}(4|2; \alpha)$ is strikingly similar to $\mathfrak{wk}(3; a)$ found 5 years earlier, cf. (9.5), and since $S_3 \simeq \mathrm{SL}(2; \mathbb{Z}/2)$.

The following figure depicts the fundamental domains of the S_3 -action. The other transformations generated by (9.2) are

$$\alpha \mapsto -\frac{1 + \alpha}{\alpha}, \quad \alpha \mapsto -\frac{1}{\alpha + 1}, \quad \alpha \mapsto -\frac{\alpha}{\alpha + 1}.$$

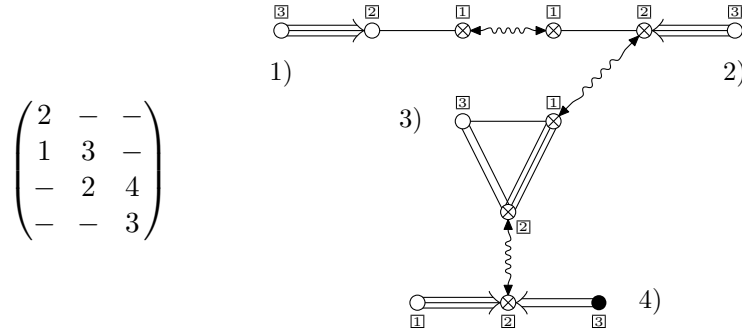


9.1.1 Notation: On matrices with a “-” sign and other notations in the lists of inequivalent Cartan matrices

The rectangular matrix at the beginning of each list of inequivalent Cartan matrices for each Lie superalgebra shows the result of odd reflections (the number of the row is the number of the Cartan matrix in the list below, the number of the column is the number of the root (given by small boxed number) in which the reflection is made; the cells contain the results of reflections (the number of the Cartan matrix obtained) or a “-” if the reflection is not appropriate because $A_{ii} \neq 0$. Some of the Cartan matrices thus obtained are equivalent, as indicated.

The number of the matrix A such that $\mathfrak{g}(A)$ has only one odd simple root is boxed, that with all simple roots odd is underlined. The nodes are numbered by small boxed numbers; the curly lines with arrows depict odd reflections.

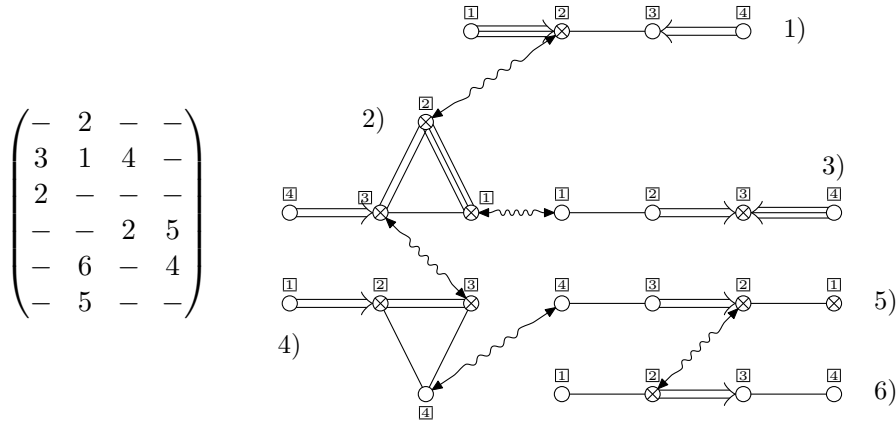
Recall that $\mathfrak{ag}(2)$ of $\mathrm{sdim} = 17|14$ has the following Cartan matrices



$$\begin{pmatrix} 2 & - & - \\ 1 & 3 & - \\ - & 2 & 4 \\ - & - & 3 \end{pmatrix}$$

$$\boxed{1)} \begin{pmatrix} 0 & -1 & 0 \\ -1 & 2 & -3 \\ 0 & -1 & 2 \end{pmatrix}, \quad 2) \begin{pmatrix} 0 & -1 & 0 \\ -1 & 0 & 3 \\ 0 & -1 & 2 \end{pmatrix}, \quad 3) \begin{pmatrix} 0 & -3 & 1 \\ -3 & 0 & 2 \\ -1 & -2 & 2 \end{pmatrix}, \quad 4) \begin{pmatrix} 2 & -1 & 0 \\ -3 & 0 & 2 \\ 0 & -1 & 1 \end{pmatrix}. \quad (9.3)$$

Recall that $\mathfrak{ab}(3)$ of $\text{sdim} = 24|16$ has the following Cartan matrices



$$\begin{pmatrix} - & 2 & - & - \\ 3 & 1 & 4 & - \\ 2 & - & - & - \\ - & - & 2 & 5 \\ - & 6 & - & 4 \\ - & 5 & - & - \end{pmatrix}$$

$$\boxed{1)} \begin{pmatrix} 2 & -1 & 0 & 0 \\ -3 & 0 & 1 & 0 \\ 0 & -1 & 2 & -2 \\ 0 & 0 & -1 & 2 \end{pmatrix}, \quad 2) \begin{pmatrix} 0 & -3 & 1 & 0 \\ -3 & 0 & 2 & 0 \\ 1 & 2 & 0 & -2 \\ 0 & 0 & -1 & 2 \end{pmatrix}, \quad \boxed{3)} \begin{pmatrix} 2 & -1 & 0 & 0 \\ -1 & 2 & -1 & 0 \\ 0 & -2 & 0 & 3 \\ 0 & 0 & -1 & 2 \end{pmatrix}, \quad (9.4)$$

$$4) \begin{pmatrix} 2 & -1 & 0 & 0 \\ -2 & 0 & 2 & -1 \\ 0 & 2 & 0 & -1 \\ 0 & -1 & -1 & 2 \end{pmatrix}, \quad 5) \begin{pmatrix} 0 & 1 & 0 & 0 \\ -1 & 0 & 2 & 0 \\ 0 & -1 & 2 & -1 \\ 0 & 0 & -1 & 2 \end{pmatrix}, \quad \boxed{6)} \begin{pmatrix} 2 & -1 & 0 & 0 \\ -1 & 2 & -1 & 0 \\ 0 & -2 & 2 & -1 \\ 0 & 0 & -1 & 0 \end{pmatrix}.$$

Modular Lie algebras and Lie superalgebras.

$p = 2$, Lie algebras. Weisfeiler and Kac [54] discovered two new parametric families that we denote $\mathfrak{wk}(3; a)$ and $\mathfrak{wk}(4; a)$ (*Weisfeiler and Kac algebras*).

$\mathfrak{wk}(3; a)$, where $a \neq 0, -1$, of $\text{dim } 18$ is a non-super version of $\mathfrak{osp}(4|2; a)$ (although no \mathfrak{osp} exists for $p = 2$); the dimension of its simple subquotient $\mathfrak{wk}(3; a)^{(1)}/\mathfrak{c}$ is equal to 16; the inequivalent Cartan matrices are:

$$1) \begin{pmatrix} \bar{0} & a & 0 \\ a & \bar{0} & 1 \\ 0 & 1 & \bar{0} \end{pmatrix}, \quad 2) \begin{pmatrix} \bar{0} & 1+a & a \\ 1+a & \bar{0} & 1 \\ a & 1 & \bar{0} \end{pmatrix}.$$

$\mathfrak{mf}(4; a)$, where $a \neq 0, -1$, of $\dim = 34$; the inequivalent Cartan matrices are:

$$1) \begin{pmatrix} \bar{0} & a & 0 & 0 \\ a & \bar{0} & 1 & 0 \\ 0 & 1 & \bar{0} & 1 \\ 0 & 0 & 1 & \bar{0} \end{pmatrix}, \quad 2) \begin{pmatrix} \bar{0} & 1 & 1+a & 0 \\ 1 & \bar{0} & a & 0 \\ a+1 & a & \bar{0} & a \\ 0 & 0 & a & \bar{0} \end{pmatrix}, \quad 3) \begin{pmatrix} \bar{0} & a & 0 & 0 \\ a & \bar{0} & a+1 & 0 \\ 0 & a+1 & \bar{0} & 1 \\ 0 & 0 & 1 & \bar{0} \end{pmatrix}.$$

Weisfeiler and Kac investigated also which of these algebras are isomorphic and the answer is as follows:

$$\begin{aligned} \mathfrak{mf}(3; a) \simeq \mathfrak{mf}(3; a') &\iff a' = \frac{\alpha a + \beta}{\gamma a + \delta}, \quad \text{where } \begin{pmatrix} \alpha & \beta \\ \gamma & \delta \end{pmatrix} \in \mathbf{SL}(2; \mathbb{Z}/2), \\ \mathfrak{mf}(4; a) \simeq \mathfrak{mf}(4; a') &\iff a' = \frac{1}{a}. \end{aligned} \quad (9.5)$$

9.1.2 2-structures on \mathfrak{mf} algebras

1) Observe that the center \mathfrak{c} of $\mathfrak{mf}(3; a)$ is spanned by $ah_1 + h_3$. The 2-structure on $\mathfrak{mf}(3; a)$ is given by the conditions $(e_\alpha^\pm)^{[2]} = 0$ for all root vectors and the following ones:

a) For the matrix $B = (0, 0, 1)$ in (4.7) for the grading operator d , set:

$$\begin{aligned} (\mathrm{ad}_{h_1})^{[2]} &= (1 + at)h_1 + th_3 \equiv h_1 \pmod{\mathfrak{c}}, \\ (\mathrm{ad}_{h_2})^{[2]} &= ath_1 + h_2 + th_3 + a(1+a)d \equiv h_2 + a(1+a)d \pmod{\mathfrak{c}}, \\ (\mathrm{ad}_{h_3})^{[2]} &= (at + a^2)h_1 + th_3 \equiv a^2h_1 \pmod{\mathfrak{c}}, \\ (\mathrm{ad}_d)^{[2]} &= ath_1 + th_3 + d \equiv d \pmod{\mathfrak{c}}, \end{aligned} \quad (9.6)$$

where t is a parameter.

b) Taking $B = (1, 0, 0)$ in (4.7) we get a more symmetric answer:

$$\begin{aligned} (\mathrm{ad}_{h_1})^{[2]} &= (1 + at)h_1 + th_3 \equiv h_1 \pmod{\mathfrak{c}}, \\ (\mathrm{ad}_{h_2})^{[2]} &= ath_1 + ah_2 + th_3 + (1+a)d \equiv ah_2 + (1+a)d \pmod{\mathfrak{c}}, \\ (\mathrm{ad}_{h_3})^{[2]} &= (at + a^2)h_1 + th_3 \equiv a^2h_1 \pmod{\mathfrak{c}}, \\ (\mathrm{ad}_d)^{[2]} &= ath_1 + th_3 + d \equiv d \pmod{\mathfrak{c}}, \end{aligned} \quad (9.7)$$

(The expressions are somewhat different since we have chosen a different basis but on this simple Lie algebra the 2-structure is unique.)

2) The 2-structure on $\mathfrak{mf}(4; a)$ is given by the conditions $(e_\alpha^\pm)^{[2]} = 0$ for all root vectors and

$$\begin{aligned} (\mathrm{ad}_{h_1})^{[2]} &= ah_1 + (1+a)h_4, \\ (\mathrm{ad}_{h_2})^{[2]} &= ah_2, \\ (\mathrm{ad}_{h_3})^{[2]} &= h_3, \\ (\mathrm{ad}_{h_4})^{[2]} &= h_4. \end{aligned} \quad (9.8)$$

$p = 3$, Lie algebras. *Brown*⁵ algebras:

$$\mathfrak{br}(2, a) \text{ with CM } \begin{pmatrix} 2 & -1 \\ a & 2 \end{pmatrix} \text{ and } \mathfrak{br}(2) = \lim_{-\frac{2}{a} \rightarrow 0} \mathfrak{br}(2, a) \text{ with CM } \begin{pmatrix} 2 & -1 \\ -1 & 0 \end{pmatrix} \quad (9.9)$$

The reflections change the value of the parameter, so

$$\mathfrak{br}(2, a) \simeq \mathfrak{br}(2, a') \iff a' = -(1+a). \quad (9.10)$$

⁵To interpret the limit in (9.9), set $\varepsilon = 1 + \frac{1}{a}$, and $\mathfrak{br}(2) := \mathfrak{br}(2; \varepsilon)$ for $\varepsilon = 1$.

$$1\mathfrak{br}(3) \text{ with CM } \begin{pmatrix} 2 & -1 & 0 \\ -1 & 2 & -1 \\ 0 & -1 & \bar{0} \end{pmatrix} \text{ and } 2\mathfrak{br}(3) \text{ with CM } \begin{pmatrix} 2 & -1 & 0 \\ -2 & 2 & -1 \\ 0 & -1 & \bar{0} \end{pmatrix}. \quad (9.11)$$

$p = 3$, Lie superalgebras.

Brown superalgebra $\mathfrak{brj}(2; 3)$ of $\text{sdim} = 10|8$ (recently discovered in [17, Theorem 3.2(i)]; its Cartan matrices are first listed in [5]) has the following Cartan matrices

$$1) \begin{pmatrix} 0 & -1 \\ -2 & 1 \end{pmatrix}, \quad 2) \begin{pmatrix} 0 & -1 \\ -1 & \bar{0} \end{pmatrix}, \quad 3) \begin{pmatrix} 1 & -1 \\ -1 & \bar{0} \end{pmatrix}.$$

The Lie superalgebra $\mathfrak{brj}(2; 3)$ is a super analog of the Brown algebra $\mathfrak{br}(2) = \mathfrak{brj}(2; 3)_{\bar{0}}$, its even part; $\mathfrak{brj}(2; 3)_{\bar{1}} = R(2\pi_1)$ is irreducible $\mathfrak{brj}(2; 3)_{\bar{0}}$ -module.

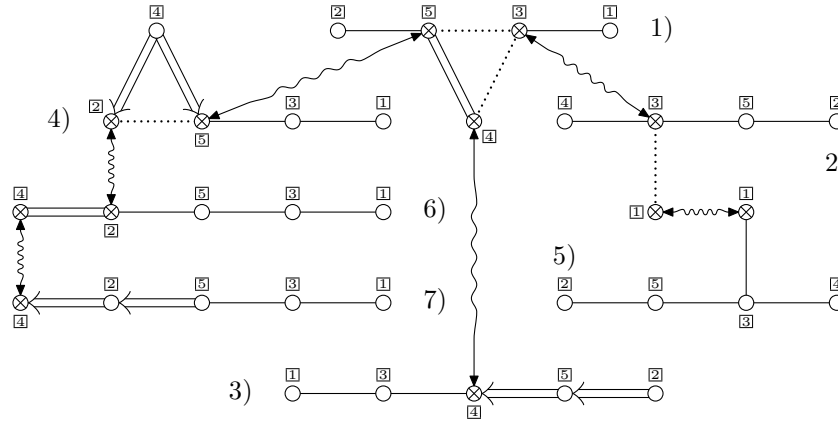
Elduque [17, 18, 13, 14] considered a particular case of the problem (9.1) and arranged the Lie (super)algebras he discovered in a Supermagic Square all its entries being of the form $\mathfrak{g}(A)$. These *Elduque and Cunha superalgebras* are, indeed, exceptional ones. For the complete list of their inequivalent Cartan matrices, reproduced here, see [3], where their presentation are also given; we also reproduce the description of the even and odd parts of these Lie superalgebras (all but one discovered by Elduque and whose description in terms of symmetric composition algebras is due to Elduque and Cunha), see Section 12.1.

$p = 5$, Lie superalgebras. *Brown superalgebra* $\mathfrak{brj}(2; 5)$ of $\text{sdim} = 10|12$, recently discovered in [5], such that $\mathfrak{brj}(2; 5)_{\bar{0}} = \mathfrak{sp}(4)$ and $\mathfrak{brj}(2; 5)_{\bar{1}} = R(\pi_1 + \pi_2)$ is an irreducible $\mathfrak{brj}(2; 5)_{\bar{0}}$ -module⁶. The Lie superalgebra $\mathfrak{brj}(2; 5)$ has the following Cartan matrices:

$$\begin{pmatrix} 2 & - \\ 1 & - \end{pmatrix} \quad 1) \begin{pmatrix} 0 & -1 \\ -2 & 1 \end{pmatrix}, \quad 2) \begin{pmatrix} 0 & -1 \\ -3 & 2 \end{pmatrix}.$$

Elduque superalgebra $\mathfrak{el}(5; 5)$ of $\text{sdim} = 55|32$, where $\mathfrak{el}(5; 5)_{\bar{0}} = \mathfrak{o}(11)$ and $\mathfrak{el}(5; 5)_{\bar{1}} = \text{spin}_{11}$. Its inequivalent Cartan matrices, first described in [4], are as follows:

Instead of joining nodes by four segments in the cases where $A_{ij} = A_{ji} = 1 \equiv -4 \pmod{5}$ we use one dotted segment.



$$1) \begin{pmatrix} 2 & 0 & -1 & 0 & 0 \\ 0 & 2 & 0 & 0 & -1 \\ -1 & 0 & 0 & -4 & -4 \\ 0 & 0 & -4 & 0 & -2 \\ 0 & -1 & -4 & -2 & 0 \end{pmatrix}, \quad 2) \begin{pmatrix} 0 & 0 & -4 & 0 & 0 \\ 0 & 2 & 0 & 0 & -1 \\ -4 & 0 & 0 & -1 & -1 \\ 0 & 0 & -1 & 2 & 0 \\ 0 & -1 & -1 & 0 & 2 \end{pmatrix},$$

⁶To the incredulous reader: The Cartan subalgebra of $\mathfrak{sp}(4)$ is generated by h_2 and $2h_1 + h_2$. The highest weight vector is $x_{10} = [[x_2, [x_2, [x_1, x_2]]], [[x_1, x_2], [x_1, x_2]]]$ and its weight is not a multiple of a fundamental weight, but $(1, 1)$. We encounter several more instances of non-fundamental weights in descriptions of exceptions for $p = 2$.

$$\begin{array}{l}
\boxed{3)} \begin{pmatrix} 2 & 0 & -1 & 0 & 0 \\ 0 & 2 & 0 & 0 & -1 \\ -1 & 0 & 2 & -1 & 0 \\ 0 & 0 & -1 & 0 & 2 \\ 0 & -2 & 0 & -1 & 2 \end{pmatrix}, \quad 4) \begin{pmatrix} 2 & 0 & -1 & 0 & 0 \\ 0 & 0 & 0 & 2 & -4 \\ -1 & 0 & 2 & 0 & -1 \\ 0 & -1 & 0 & 2 & -1 \\ 0 & -4 & -1 & 2 & 0 \end{pmatrix}, \\
\boxed{5)} \begin{pmatrix} 0 & 0 & -1 & 0 & 0 \\ 0 & 2 & 0 & 0 & -1 \\ -1 & 0 & 2 & -1 & -1 \\ 0 & 0 & -1 & 2 & 0 \\ 0 & -1 & -1 & 0 & 2 \end{pmatrix}, \quad 6) \begin{pmatrix} 2 & 0 & -1 & 0 & 0 \\ 0 & 0 & 0 & -2 & -1 \\ -1 & 0 & 2 & 0 & -1 \\ 0 & -2 & 0 & 0 & 0 \\ 0 & -1 & -1 & 0 & 2 \end{pmatrix} \\
\boxed{7)} \begin{pmatrix} 2 & 0 & -1 & 0 & 0 \\ 0 & 2 & 0 & -1 & -2 \\ -1 & 0 & 2 & 0 & -1 \\ 0 & 2 & 0 & 0 & 0 \\ 0 & -1 & -1 & 0 & 2 \end{pmatrix}, \quad 8) \begin{pmatrix} - & - & 2 & 3 & 4 \\ 5 & - & 1 & - & - \\ - & - & - & 1 & - \\ - & 6 & - & - & 1 \\ 2 & - & - & - & - \\ - & 4 & - & 7 & - \\ - & - & - & 6 & - \end{pmatrix}.
\end{array}$$

9.2 Step 2: Studying 2×2 and 3×3 Cartan matrices

1) We ask **Mathematica** to construct all possible matrices of a specific size. The matrices are not normalized and they must not be symmetrizable: we can not eliminate non-symmetrizable matrices at this stage. Fortunately, all 2×2 matrices are symmetrizable.

2) We ask **Mathematica** to eliminate the matrices with the following properties:

- a) Matrices A for whose submatrix B we know that $\dim \mathfrak{g}(B) = \infty$;
 - b) decomposable matrices.
- (9.12)

3) Matrices with a row in each that differ from each other by a nonzero factor are counted once, e.g.,

$$\begin{pmatrix} 1 & 1 \\ 3 & 2 \end{pmatrix} \cong \begin{pmatrix} 2 & 2 \\ 3 & 2 \end{pmatrix} \cong \begin{pmatrix} 6 & 6 \\ 6 & 4 \end{pmatrix}.$$

4) Equivalent matrices are counted once, where equivalence means that one matrix can be obtained from the other one by simultaneous transposition of rows and columns with the same numbers and *the same parity*. For example,

$$\begin{pmatrix} 0 & \alpha & 0 & 0 \\ \alpha & \bar{0} & 0 & 1 \\ 0 & 0 & \bar{0} & 1 \\ 0 & 1 & 1 & \bar{0} \end{pmatrix} \sim \begin{pmatrix} 0 & \alpha & 1 & 0 \\ \alpha & \bar{0} & 0 & 0 \\ 1 & 0 & \bar{0} & 1 \\ 0 & 0 & 1 & \bar{0} \end{pmatrix} \sim \begin{pmatrix} 0 & 0 & 0 & 1 \\ 0 & \bar{0} & \alpha & 1 \\ 0 & \alpha & \bar{0} & 0 \\ 1 & 1 & 0 & \bar{0} \end{pmatrix}.$$

At the substeps 1.1)–1.4) we thus get a store of Cartan matrices to be tested further.

5) Now, we ask **SuperLie**, see [25], to construct the Lie superalgebras $\mathfrak{g}(A)$ up to certain dimension (say, 256). Having stored the Lie superalgebras $\mathfrak{g}(A)$ of dimension < 256 we increase the range again if there are any algebras left (say, to 1024 or 2048). At this step, we **conjecture** that the dimension of any finite dimensional simple Lie (super)algebra of the form $\mathfrak{g}(A)$, where A is of size $n \times n$, does not grow too rapidly with n . Say, at least, not as fast as n^{10} .

If the dimension of $\mathfrak{g}(A)$ increases accordingly, then we **conjecture** that $\mathfrak{g}(A)$ is infinite dimensional and this Lie superalgebra is put away for a while (but not completely eliminated as

decomposable matrices that correspond to non-simple algebras: The progress of science might require soon to investigate **how fast** the dimension grows with n : polynomially or faster).

6) For the stored Cartan matrices A , we have $\dim \mathfrak{g}(A) < \infty$. Once we get the full list all of such Cartan matrices of a given size, we have to check if $\mathfrak{g}(A)$ is simple, one by one.

7) The vectors of parities of the generators $\text{Pty} = (p_1, \dots, p_n)$ are only considered of the form $(\bar{1}, \dots, \bar{1}, \bar{0}, \dots, \bar{0})$.

9.2.1 The case of 2×2 Cartan matrices

On the diagonal we may have 2, $\bar{1}$ or $\bar{0}$, if the corresponding root is even; 0 or 1 if the root is odd. To be on the safe side, we redid the purely even case. We have the following options to consider:

$$\begin{aligned} \text{Pty} = (\bar{0}, \bar{0}) \quad \mathfrak{a}_1 \quad & \begin{pmatrix} 2 & 2a \\ 2b & 2 \end{pmatrix} \simeq \begin{pmatrix} 2 & 2a \\ b & \bar{1} \end{pmatrix} \simeq \begin{pmatrix} \bar{1} & a \\ 2b & 2 \end{pmatrix} \simeq \begin{pmatrix} \bar{1} & a \\ b & \bar{1} \end{pmatrix} \simeq \begin{pmatrix} b & ab \\ ab & a \end{pmatrix}, \\ & \mathfrak{a}_2 \quad \begin{pmatrix} \bar{1} & 2a \\ -1 & \bar{0} \end{pmatrix}, \quad \mathfrak{a}_3 \quad \begin{pmatrix} \bar{0} & -1 \\ -1 & \bar{0} \end{pmatrix}; \end{aligned} \quad (9.13)$$

$$\begin{aligned} \text{Pty} = (\bar{1}, \bar{0}) \quad \mathfrak{a}_4 \quad & \begin{pmatrix} 0 & -1 \\ 2a & 2 \end{pmatrix} \simeq \begin{pmatrix} 0 & -1 \\ a & \bar{1} \end{pmatrix}, \\ & \mathfrak{a}_5 \quad \begin{pmatrix} \bar{0} & -1 \\ -1 & 0 \end{pmatrix}, \quad \mathfrak{a}_6 \quad \begin{pmatrix} 1 & a \\ -1 & \bar{0} \end{pmatrix}, \\ & \mathfrak{a}_7 \quad \begin{pmatrix} 1 & a \\ 2b & 2 \end{pmatrix} \simeq \begin{pmatrix} 1 & a \\ b & \bar{1} \end{pmatrix}; \end{aligned} \quad (9.14)$$

$$\begin{aligned} \text{Pty} = (\bar{1}, \bar{1}) \quad \mathfrak{a}_8 \quad & \begin{pmatrix} 1 & a \\ b & 1 \end{pmatrix} \simeq \begin{pmatrix} b & ab \\ ab & a \end{pmatrix}, \\ & \mathfrak{a}_9 \quad \begin{pmatrix} 0 & -1 \\ -1 & 0 \end{pmatrix}, \quad \mathfrak{a}_{10} \quad \begin{pmatrix} 0 & -1 \\ b & 1 \end{pmatrix}. \end{aligned} \quad (9.15)$$

Obviously, some of these CMs had appeared in the study of (twisted) loops and the corresponding Kac–Moody Lie (super)algebras. One could expect that the reduction of the entries of A modulo p might yield a finite dimensional algebra, but this does not happen.

9.2.2. Lemma. *If A is non-symmetrizable, then $\dim \mathfrak{g}(A) = \infty$.*

Proof. We prove this by inspection for 3×3 matrices, but the general case does not follow by reduction and induction: For example, for $p = 2$ and the normalized non-symmetrizable matrix (here the value of $*$ is irrelevant)

$$\begin{pmatrix} * & 1 & 1 & 0 \\ 1 & * & 0 & 1 \\ 1 & 0 & * & 1 \\ 0 & 1 & a & * \end{pmatrix},$$

where $a \neq 0, 1$, or analogous $n \times n$ matrix whose Dynkin diagram is a loop, any 3×3 submatrix is symmetrizable.

To eliminate non-symmetrizable Cartan matrices, and any loops of length > 3 in Dynkin diagrams, is, nevertheless, possible using Lemmas 3.1, 3.3, and 3.10, 3.11 of [54]. (Van de Leur [53] used these Lemmas for $p = 0$.) ■

That was the idea of the proof. Now we pass to the case-by-case study.

9.3 Step 3: Studying $n \times n$ Cartan matrices for $n > 3$

By Lemma 9.2.2 we will assume that A is symmetrizable. The idea is to use induction and the information found at each step.

9.3.1. Hypothesis. *Each finite dimensional Lie superalgebra of the form $\mathfrak{g}(A)$ possesses a “simplest” Dynkin diagram – the one with only one odd node.*

Therefore passing from $n \times n$ Cartan matrices to $(n+1) \times (n+1)$ Cartan matrices it suffices to consider just two types of $n \times n$ Cartan matrices: Purely even ones and the “simplest” ones – with only one odd node on their Dynkin diagrams. To the latter ones only even node should be added.

9.3.2 Further simplification of the algorithm

Enlarging Cartan matrices by adding new row and column, we let, for $n > 4$, its only non-zero elements occupy at most four slots (apart from the diagonal). Justification: Lemmas from § 3 in [54] and Lemma 9.2.2.

Even this simplification still leaves lots of cases: To the 5 cases to be enlarged for Cartan matrices of size ≤ 8 that we encounter for $p = 0$, we have to add 16 super cases, each producing tens of possibilities in each of the major cases $p = 2, 3$ and 5. To save several pages per each n for each p , we have omitted the results of enlargements of each Cartan matrix and give only the final summary.

9.4 On a quest for parametric families

Even for 2×2 Cartan matrices we could have proceeded by “enlarging” but to be on the safe side we performed the selection independently. We considered only one or two parameters using the function called **ParamSolve** (of **SuperLie**, see [25]). It shows all cases where the division by an expression possibly equal to zero occurred. Every time **SuperLie** shows such a possibility we check it by hand; these possibilities are algebraic equations of the form $\beta = f(\alpha)$, where α and β are the parameters of the CM. We saw that whenever α and β are generic $\dim \mathfrak{g}(A)$ grows too fast as compared with the *height* of the element (i.e., the number of brackets in expressions like $[a, [b, [c, d]]]$) that **SuperLie** should not exceed constructing a Lie (super)algebra. We did not investigate if the growth is polynomial or exponential, but definitely $\dim \mathfrak{g}(A) = \infty$. For each pair of singular values of parameters $\beta = f(\alpha)$, we repeat the computations again. In most cases, the algebra is infinite-dimensional, the exceptions being $\beta = \alpha + 1$ that nicely correspond to some of CMs we already know, like \mathfrak{mf} algebras.

For three parameters, we have equations of the form $\gamma = f(\alpha, \beta)$. For generic α and β the Lie superalgebra $\mathfrak{g}(A)$ is infinite-dimensional. For the singular cases given by **SuperLie**, the constraints are of the form $\beta = g(\alpha)$. Now we face two possibilities: If γ is a constant, then we just use the result of the previous step, when we dealt with two parameters. In the rare cases where γ is not a constant and depends on the parameter α , we have to recompute again and again the $\dim \mathfrak{g}(A)$ is infinite in these cases.

We find Cartan matrices of size 4×4 and larger by “enlarging”. For $p = 2$, we see that 3×3 CMs with parameters can be extended to 4×4 CMs. However, 4×4 CMs cannot be extended to 5×5 CMs whose Lie (super)algebras are of finite dimension. For $p > 2$, even 3×3 CMs cannot be extended.

9.5 Super and modular cases: Summary of new features (as compared with simple Lie algebras over \mathbb{C})

The super case, $p = 0$.

- 1) There are three types of nodes (\bullet , \otimes and \circ),
- 2) there may occur a loop but only of length 3;
- 3) there is at most 1 parameter, but 1 parameter may occur;
- 4) to one algebra several inequivalent Cartan matrices can correspond.

The modular case. For Lie algebras, new features are the same as in the $p = 0$ super case; additionally there appear new types of nodes (\odot and $*$).

10 The answer: The case where $p > 5$

This case is the simplest one since it does not differ much from the $p = 0$ case, where the answer is known.

Simple Lie algebras:

- 1) Lie algebras obtained from their $p = 0$ analogs by reducing modulo p . We thus get
 - the CM versions of \mathfrak{sl} , namely: either simple $\mathfrak{sl}(n)$ or $\mathfrak{gl}(pn)$ whose “simple core” is $\mathfrak{psl}(pn)$;
 - the orthogonal algebras $\mathfrak{o}(2n + 1)$ and $\mathfrak{o}(2n)$;
 - the symplectic algebras $\mathfrak{sp}(2n)$;
 - the exceptional algebras are $\mathfrak{g}(2)$, $\mathfrak{f}(4)$, $\mathfrak{e}(6)$, $\mathfrak{e}(7)$, $\mathfrak{e}(8)$.

Simple Lie superalgebras

Lie superalgebras obtained from their $p = 0$ analogs by reducing modulo p . We thus get

- 1) the CM versions of \mathfrak{sl} , namely: either simple $\mathfrak{sl}(m|n)$ or $\mathfrak{gl}(a|pk + a)$ whose “simple core” is $\mathfrak{psl}(a|pk + a)$ and $\mathfrak{psl}^{(1)}(a|pk + a)$ if $a = kn$;
- 2) the ortho-symplectic algebras $\mathfrak{osp}(m|2n)$;
- 3) a parametric family $\mathfrak{osp}(4|2; a)$;
- 4) the exceptional algebras are $\mathfrak{ag}(2)$ and $\mathfrak{ab}(3)$.

11 The answer: The case where $p = 5$

Simple Lie algebras:

- 1) same as in Section 10 for $p = 5$.

Simple Lie superalgebras

- 1) same as in Section 10 for $p = 5$ and several new exceptions:
- 2) The Brown superalgebras [5]: $\mathfrak{brj}(2; 5)$ such that $\mathfrak{brj}(2; 5)_{\bar{0}} = \mathfrak{sp}(4)$ and the $\mathfrak{brj}(2; 5)_{\bar{0}}$ -module $\mathfrak{brj}(2; 5)_{\bar{1}} = R(\pi_1 + \pi_2)$ is irreducible with the highest weight vector

$$x_{10} = [[x_2, [x_2, [x_1, x_2]]], [[x_1, x_2], [x_1, x_2]]]$$

(for the CM 2): with the two Cartan matrices

$$\begin{pmatrix} 2 & - \\ 1 & - \end{pmatrix} \quad 1) \begin{pmatrix} 0 & -1 \\ -2 & 1 \end{pmatrix}, \quad 2) \begin{pmatrix} 0 & -1 \\ -3 & 2 \end{pmatrix}.$$

- 3) The Elduque superalgebra $\mathfrak{el}(5; 5)$. Having found out one Cartan matrix of $\mathfrak{el}(5; 5)$, we have listed them all, see 9.1.2.

12 The answer: The case where $p = 3$

Simple Lie algebras:

- 1) same as in Section 10 for $p = 3$, except $\mathfrak{g}(2)$ which is not simple but contains a unique minimal ideal isomorphic to $\mathfrak{psl}(3)$, and the following additional exceptions:
- 2) the Brown algebras $\mathfrak{br}(2; a)$ and $\mathfrak{br}(2)$ as well as $\mathfrak{br}(3)$, see Section 9.1.

Simple Lie superalgebras

- 1) same as in Section 10 for $p = 3$ and $\mathfrak{e}(6)$ (with CM) which is not simple but has a “simple core” $\mathfrak{e}(6)/\mathfrak{c}$;
- 2) the Brown superalgebras, see Section 9.1;
- 3) the Elduque and Cunha superalgebras, see [14, 3]. They are respective “enlargements” of the following Lie algebras (but can be also obtained by enlarging certain Lie superalgebras):

- $\mathfrak{g}(2, 3)$ ($\mathfrak{gl}(3)$ yields $2\mathfrak{g}(1, 6)$ and $1\mathfrak{g}(2, 3)$) (with CM) has a simple core $\mathfrak{bj} := \mathfrak{g}(2, 3)^{(1)}/\mathfrak{c}$;
- $\mathfrak{g}(3, 6)$ ($\mathfrak{sl}(4)$ yields $7\mathfrak{g}(3, 6)$);
- $\mathfrak{g}(3, 3)$ ($\mathfrak{sp}(6)$ yields $1\mathfrak{g}(3, 3)$ and $10\mathfrak{g}(3, 3)$);
- $\mathfrak{g}(4, 3)$ ($\mathfrak{o}(7)$ yields $1\mathfrak{g}(4, 3)$);
- $\mathfrak{g}(8, 3)$ ($\mathfrak{f}(4)$ yields $1\mathfrak{g}(8, 3)$);
- $\mathfrak{g}(2, 6)$ ($\mathfrak{sl}(5)$ yields $3\mathfrak{g}(2, 6)$) (with CM) has a simple core $\mathfrak{g}(2, 6)^{(1)}/\mathfrak{c}$;
- $\mathfrak{g}(4, 6)$ ($\mathfrak{gl}(6)$ yields $3\mathfrak{g}(4, 6)$ and $\mathfrak{o}(10)$ yields $7\mathfrak{g}(4, 6)$);
- $\mathfrak{g}(6, 6)$ ($\mathfrak{o}(11)$ yields $21\mathfrak{g}(6, 6)$);
- $\mathfrak{g}(8, 6)$ ($\mathfrak{sl}(7)$ yields $8\mathfrak{g}(8, 6)$ and $\mathfrak{e}(6)$ yields $3\mathfrak{g}(8, 6)$);

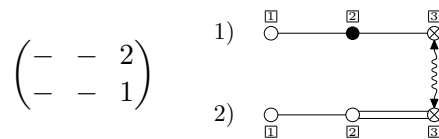
- 4) the Lie superalgebra $\mathfrak{el}(5; 3)$ we have discovered is a $p = 3$ version of the Elduque superalgebra $\mathfrak{el}(5; 5)$: Their Cartan matrices (whose elements are represented by non-positive integers) 7) for $\mathfrak{el}(5; 5)$ and 1) for $\mathfrak{el}(5; 3)$ are identical after a permutation of indices (that is why we baptized $\mathfrak{el}(5; 3)$ so). It can be obtained as an “enlargement” of any of the following Lie (super)algebras: $\mathfrak{sp}(8)$, $\mathfrak{sl}(1|4)$, $\mathfrak{sl}(2|3)$, $\mathfrak{osp}(4|4)$, $\mathfrak{osp}(6|2)$, $\mathfrak{g}(3, 3)$.

12.1 Elduque and Cunha superalgebras: Systems of simple roots

For details of description of Elduque and Cunha superalgebras in terms of symmetric composition algebras, see [17, 13, 14]. Here we consider the simple Elduque and Cunha superalgebras with Cartan matrix for $p = 3$. In what follows, we list them using somewhat shorter notations as compared with the original ones: Hereafter $\mathfrak{g}(A, B)$ denotes the superalgebra occupying (A, B) th slot in the Elduque Supermagic Square; the first Cartan matrix is usually the one given in [13], where only one Cartan matrix is given; the other matrices are obtained from the first one by means of reflections. Accordingly, $i\mathfrak{g}(A, B)$ is the shorthand for the realization of $\mathfrak{g}(A, B)$ by means of the i th Cartan matrix. There are no instances of isotropic even reflections. On notation in the following tables, see Section 9.1.1.

12.1.1 $\mathfrak{g}(1, 6)$ of $\mathfrak{sdim} = 21|14$

We have $\mathfrak{g}(1, 6)_{\bar{0}} = \mathfrak{sp}(6)$ and $\mathfrak{g}(1, 6)_{\bar{1}} = R(\pi_3)$.

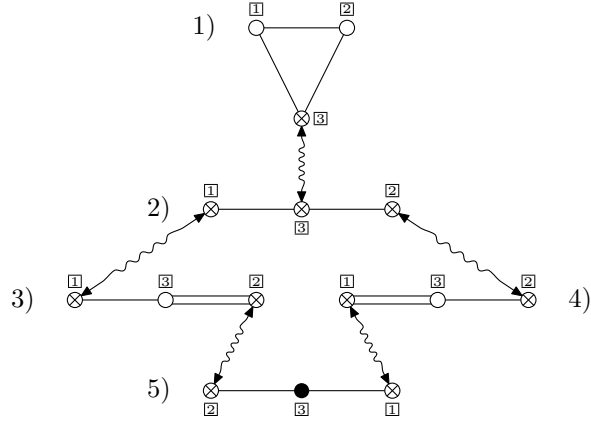


$$1) \begin{pmatrix} 2 & -1 & 0 \\ -1 & 1 & -1 \\ 0 & -1 & 0 \end{pmatrix}, \quad \boxed{2) \begin{pmatrix} 2 & -1 & 0 \\ -1 & 2 & -2 \\ 0 & -2 & 0 \end{pmatrix}.$$

12.1.2 $\mathfrak{g}(2, 3)$ of $\text{sdim} = 12/10|14$

We have $\mathfrak{g}(2, 3)_{\bar{0}} = \mathfrak{gl}(3) \oplus \mathfrak{sl}(2)$ and $\mathfrak{g}(2, 3)_{\bar{1}} = \mathfrak{psl}(3) \otimes \text{id}$.

$$\begin{pmatrix} - & - & 2 \\ 3 & 4 & 1 \\ 2 & 5 & - \\ 5 & 2 & - \\ 4 & 3 & - \end{pmatrix}$$



$$\boxed{1) \begin{pmatrix} 2 & -1 & -1 \\ -1 & 2 & -1 \\ -1 & -1 & 0 \end{pmatrix}, \quad \underline{2) \begin{pmatrix} 0 & 0 & -1 \\ 0 & 0 & -1 \\ -1 & -1 & 0 \end{pmatrix}, \quad 3) \begin{pmatrix} 0 & 0 & -1 \\ 0 & 0 & -2 \\ -1 & -2 & 2 \end{pmatrix},$$

$$4) \begin{pmatrix} 0 & 0 & -2 \\ 0 & 0 & -1 \\ -2 & -1 & 2 \end{pmatrix}, \quad \underline{5) \begin{pmatrix} 0 & 0 & -1 \\ 0 & 0 & -1 \\ -1 & -1 & 1 \end{pmatrix}.$$

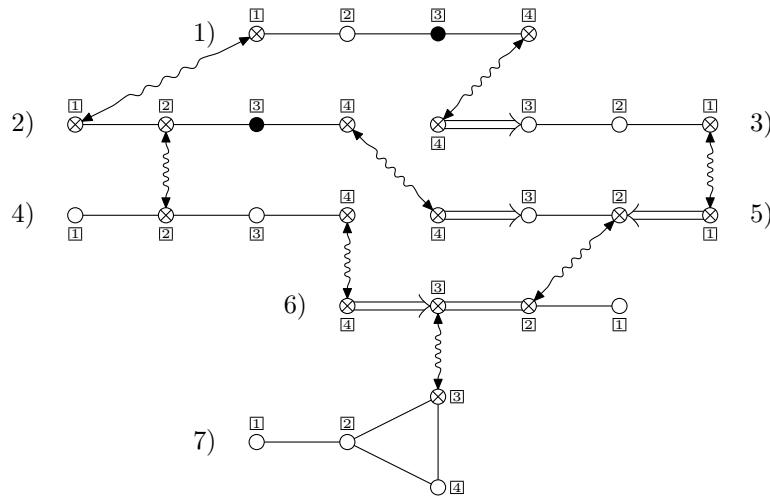
12.1.3 $\mathfrak{g}(3, 6)$ of $\text{sdim} = 36|40$

We have $\mathfrak{g}(3, 6)_{\bar{0}} = \mathfrak{sp}(8)$ and $\mathfrak{g}(3, 6)_{\bar{1}} = R(\pi_3)$.

$$\begin{pmatrix} 2 & - & - & 3 \\ 1 & 4 & - & 5 \\ 5 & - & - & 1 \\ - & 2 & - & 6 \\ 3 & 6 & - & 2 \\ - & 5 & 7 & 4 \\ - & - & 6 & - \end{pmatrix}, \quad 1) \begin{pmatrix} 0 & -1 & 0 & 0 \\ -1 & 2 & -1 & 0 \\ 0 & -1 & 1 & -1 \\ 0 & 0 & -1 & 0 \end{pmatrix}, \quad \underline{2) \begin{pmatrix} 0 & -1 & 0 & 0 \\ -1 & 0 & -1 & 0 \\ 0 & -1 & 1 & -1 \\ 0 & 0 & -1 & 0 \end{pmatrix},$$

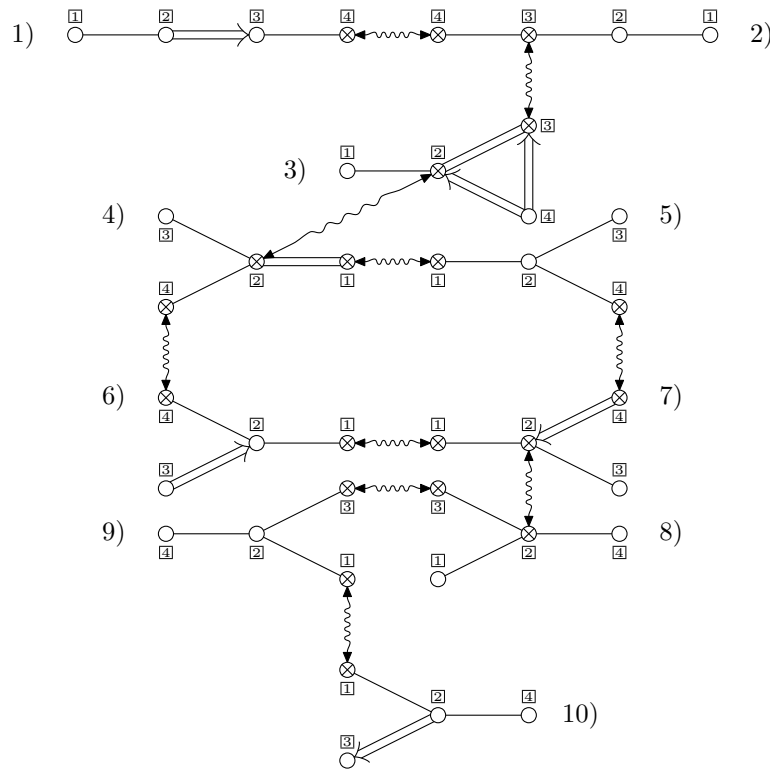
$$3) \begin{pmatrix} 0 & -1 & 0 & 0 \\ -1 & 2 & -1 & 0 \\ 0 & -1 & 2 & -2 \\ 0 & 0 & -1 & 0 \end{pmatrix}, \quad 4) \begin{pmatrix} 2 & -1 & 0 & 0 \\ -1 & 0 & -2 & 0 \\ 0 & -2 & 2 & -1 \\ 0 & 0 & -1 & 0 \end{pmatrix}, \quad 5) \begin{pmatrix} 0 & -1 & 0 & 0 \\ -2 & 0 & -1 & 0 \\ 0 & -1 & 2 & -2 \\ 0 & 0 & -1 & 0 \end{pmatrix},$$

$$6) \begin{pmatrix} 2 & -1 & 0 & 0 \\ -1 & 0 & -2 & 0 \\ 0 & -2 & 0 & -2 \\ 0 & 0 & -1 & 0 \end{pmatrix}, \quad \boxed{7) \begin{pmatrix} 2 & -1 & 0 & 0 \\ -1 & 2 & -1 & -1 \\ 0 & -1 & 0 & -1 \\ 0 & -1 & -1 & 2 \end{pmatrix}.$$



12.1.4 $\mathfrak{g}(3, 3)$ of $\text{sdim} = 23/21|16$

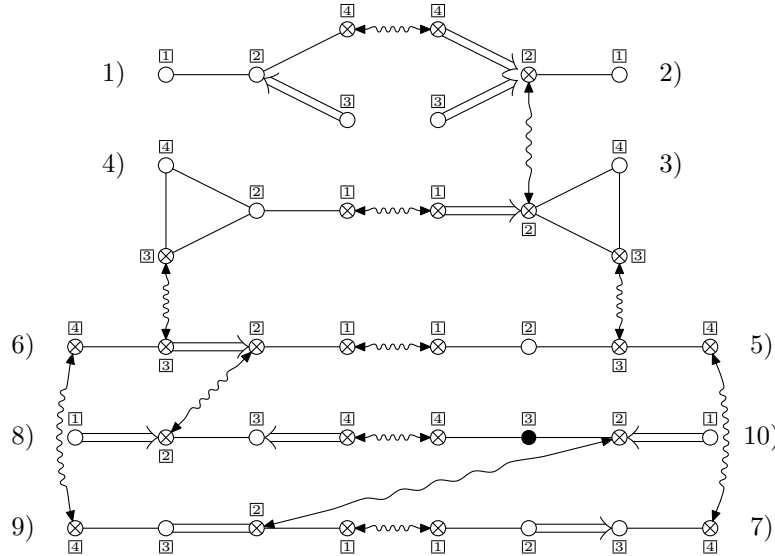
We have $\mathfrak{g}(3, 3)_0 = (\mathfrak{o}(7) \oplus \mathbb{K}z) \oplus \mathbb{K}d$ and $\mathfrak{g}(3, 3)_1 = (\text{spin}_7)_+ \oplus (\text{spin}_7)_-$; the action of d separates the summands – identical $\mathfrak{o}(7)$ -modules spin_7 – acting on one as the scalar multiplication by 1, on the other one by -1 .



$$\begin{pmatrix} - & - & - & 2 \\ - & - & 3 & 1 \\ - & 4 & 2 & - \\ 5 & 3 & - & 6 \\ 4 & - & - & 7 \\ 7 & - & - & 4 \\ 6 & 8 & - & 5 \\ - & 7 & 9 & - \\ 10 & - & 8 & - \\ 9 & - & - & - \end{pmatrix}, \quad \boxed{1)} \begin{pmatrix} 2 & -1 & 0 & 0 \\ -1 & 2 & -1 & 0 \\ 0 & -2 & 2 & -1 \\ 0 & 0 & -1 & 0 \end{pmatrix}, \quad 2) \begin{pmatrix} 2 & -1 & 0 & 0 \\ -1 & 2 & -1 & 0 \\ 0 & -1 & 0 & -1 \\ 0 & 0 & -1 & 0 \end{pmatrix}, \\
 3) \begin{pmatrix} 2 & -1 & 0 & 0 \\ -1 & 0 & -2 & -2 \\ 0 & -2 & 0 & -2 \\ 0 & -1 & -1 & 2 \end{pmatrix}, \quad 4) \begin{pmatrix} 0 & -1 & 0 & 0 \\ -2 & 0 & -1 & -1 \\ 0 & -1 & 2 & 0 \\ 0 & -1 & 0 & 0 \end{pmatrix}, \\
 5) \begin{pmatrix} 0 & -1 & 0 & 0 \\ -1 & 2 & -1 & -1 \\ 0 & -1 & 2 & 0 \\ 0 & -1 & 0 & 0 \end{pmatrix}, \quad 6) \begin{pmatrix} 0 & -1 & 0 & 0 \\ -1 & 2 & -2 & -1 \\ 0 & -1 & 2 & 0 \\ 0 & -1 & 0 & 0 \end{pmatrix}, \quad 7) \begin{pmatrix} 0 & -1 & 0 & 0 \\ -1 & 0 & -1 & -2 \\ 0 & -1 & 2 & 0 \\ 0 & -1 & 0 & 0 \end{pmatrix}, \\
 8) \begin{pmatrix} 2 & -1 & -1 & 0 \\ -2 & 0 & -2 & -1 \\ -1 & -1 & 0 & 0 \\ 0 & -1 & 0 & 2 \end{pmatrix}, \quad 9) \begin{pmatrix} 0 & 0 & -1 & 0 \\ 0 & 2 & -1 & -1 \\ -1 & -1 & 0 & 0 \\ 0 & -1 & 0 & 2 \end{pmatrix}, \quad \boxed{10)} \begin{pmatrix} 0 & 0 & -1 & 0 \\ 0 & 2 & -1 & -1 \\ -1 & -2 & 2 & 0 \\ 0 & -1 & 0 & 2 \end{pmatrix}.$$

12.1.5 $\mathfrak{g}(4, 3)$ of $\text{sdim} = 24|26$

We have $\mathfrak{g}(4, 3)_{\bar{0}} = \mathfrak{sp}(6) \oplus \mathfrak{sl}(2)$ and $\mathfrak{g}(4, 3)_{\bar{1}} = R(\pi_2) \otimes \text{id}$.

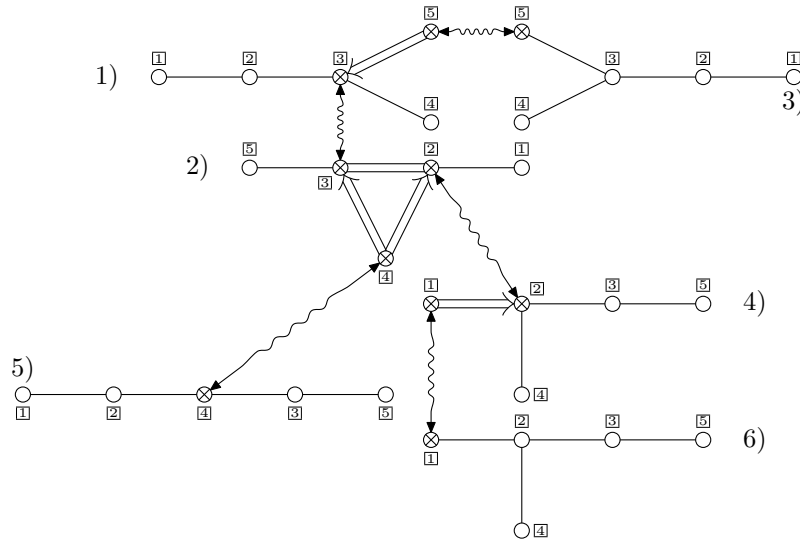


$$\begin{pmatrix} - & - & - & 2 \\ - & 3 & - & 1 \\ 4 & 2 & 5 & - \\ 3 & - & 6 & - \\ 6 & - & 3 & 7 \\ 5 & 8 & 4 & 9 \\ 9 & - & - & 5 \\ - & 6 & - & 10 \\ 7 & 10 & - & 6 \\ - & 9 & - & 8 \end{pmatrix}, \quad \boxed{1)} \begin{pmatrix} 2 & -1 & 0 & 0 \\ -1 & 2 & -2 & -1 \\ 0 & -1 & 2 & 0 \\ 0 & -1 & 0 & 0 \end{pmatrix}, \quad 2) \begin{pmatrix} 2 & -1 & 0 & 0 \\ -1 & 0 & -2 & -2 \\ 0 & -1 & 2 & 0 \\ 0 & -1 & 0 & 0 \end{pmatrix}, \\
 3) \begin{pmatrix} 0 & -1 & 0 & 0 \\ -2 & 0 & -1 & -1 \\ 0 & -1 & 0 & -1 \\ 0 & -1 & -1 & 2 \end{pmatrix}, \quad 4) \begin{pmatrix} 0 & -1 & 0 & 0 \\ -1 & 2 & -1 & -1 \\ 0 & -1 & 0 & -1 \\ 0 & -1 & -1 & 2 \end{pmatrix},$$

$$\begin{aligned}
 &5) \begin{pmatrix} 0 & -1 & 0 & 0 \\ -1 & 2 & -1 & 0 \\ 0 & -1 & 0 & -1 \\ 0 & 0 & -1 & 0 \end{pmatrix}, \quad 6) \begin{pmatrix} 0 & -1 & 0 & 0 \\ -1 & 0 & -2 & 0 \\ 0 & -1 & 0 & -1 \\ 0 & 0 & -1 & 0 \end{pmatrix}, \quad 7) \begin{pmatrix} 0 & -1 & 0 & 0 \\ -1 & 2 & -1 & 0 \\ 0 & -2 & 2 & -1 \\ 0 & 0 & -1 & 0 \end{pmatrix}, \\
 &8) \begin{pmatrix} 2 & -1 & 0 & 0 \\ -2 & 0 & -1 & 0 \\ 0 & -1 & 2 & -2 \\ 0 & 0 & -1 & 0 \end{pmatrix}, \quad 9) \begin{pmatrix} 0 & -1 & 0 & 0 \\ -1 & 0 & -2 & 0 \\ 0 & -2 & 2 & -1 \\ 0 & 0 & -1 & 0 \end{pmatrix}, \quad 10) \begin{pmatrix} 2 & -1 & 0 & 0 \\ -2 & 0 & -1 & 0 \\ 0 & -1 & 1 & -1 \\ 0 & 0 & -1 & 0 \end{pmatrix}.
 \end{aligned}$$

12.1.6 $\mathfrak{g}(2, 6)$ of $\text{sdim} = 36/34|20$

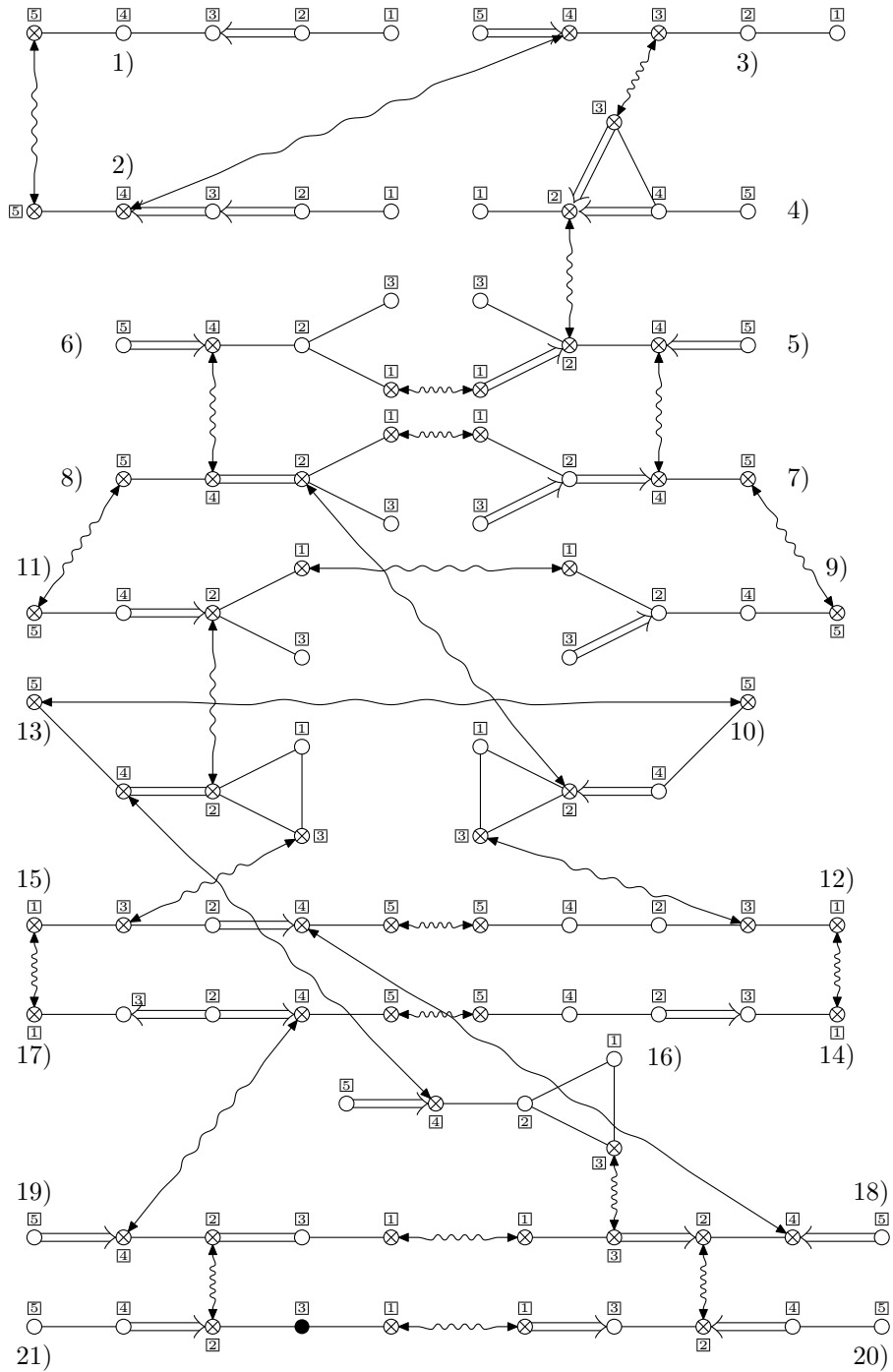
We have $\mathfrak{g}(2, 6)_{\bar{0}} = \mathfrak{gl}(6)$ and $\mathfrak{g}(2, 6)_{\bar{1}} = R(\pi_3)$.



$$\begin{aligned}
 &\begin{pmatrix} - & - & 2 & - & 3 \\ - & 4 & 1 & 5 & - \\ - & - & - & - & 1 \\ 6 & 2 & - & - & - \\ - & - & - & 2 & - \\ 4 & - & - & - & - \end{pmatrix}, \quad 1) \begin{pmatrix} 2 & -1 & 0 & 0 & 0 \\ -1 & 2 & -1 & 0 & 0 \\ 0 & -1 & 0 & -1 & -2 \\ 0 & 0 & -1 & 2 & 0 \\ 0 & 0 & -1 & 0 & 0 \end{pmatrix}, \quad 2) \begin{pmatrix} 2 & -1 & 0 & 0 & 0 \\ -1 & 0 & -2 & -2 & 0 \\ 0 & -2 & 0 & -2 & -1 \\ 0 & -1 & -1 & 0 & 0 \\ 0 & 0 & -1 & 0 & 2 \end{pmatrix}, \\
 &3) \begin{pmatrix} 2 & -1 & 0 & 0 & 0 \\ -1 & 2 & -1 & 0 & 0 \\ 0 & -1 & 2 & -1 & -1 \\ 0 & 0 & -1 & 2 & 0 \\ 0 & 0 & -1 & 0 & 0 \end{pmatrix} \sim 6) \begin{pmatrix} 0 & -1 & 0 & 0 & 0 \\ -1 & 2 & -1 & -1 & 0 \\ 0 & -1 & 2 & 0 & -1 \\ 0 & -1 & 0 & 2 & 0 \\ 0 & 0 & -1 & 0 & 2 \end{pmatrix}, \\
 &4) \begin{pmatrix} 0 & -1 & 0 & 0 & 0 \\ -2 & 0 & -1 & -1 & 0 \\ 0 & -1 & 2 & 0 & -1 \\ 0 & -1 & 0 & 2 & 0 \\ 0 & 0 & -1 & 0 & 2 \end{pmatrix}, \quad 5) \begin{pmatrix} 2 & -1 & 0 & 0 & 0 \\ -1 & 2 & 0 & -1 & 0 \\ 0 & 0 & 2 & -1 & -1 \\ 0 & -1 & -1 & 0 & 0 \\ 0 & 0 & -1 & 0 & 2 \end{pmatrix}.
 \end{aligned}$$

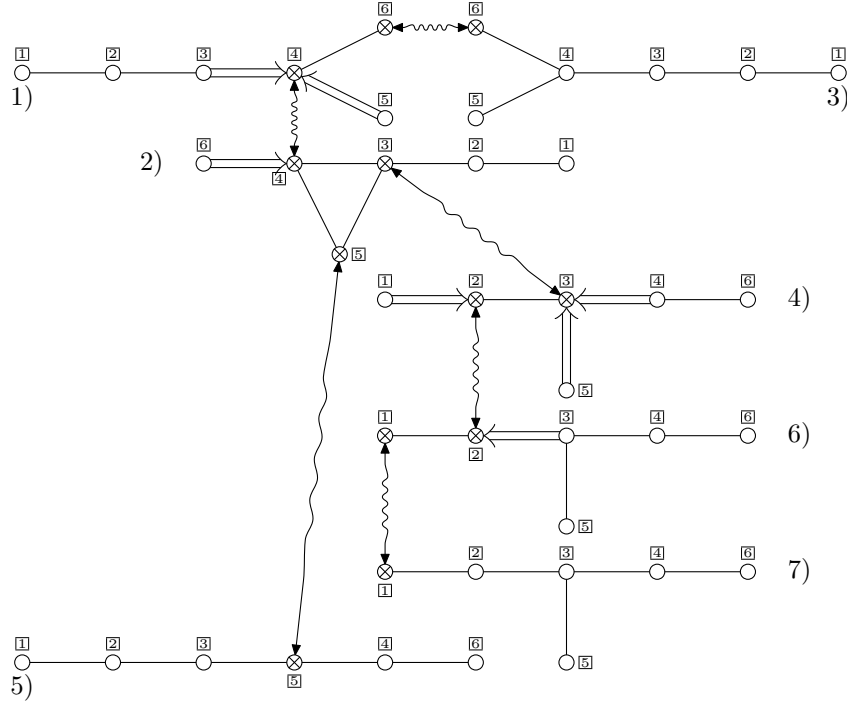
12.1.7 $\mathfrak{g}(8, 3)$ of $\text{sdim} = 55|50$

We have $\mathfrak{g}(8, 3)_{\bar{0}} = \mathfrak{f}(4) \oplus \mathfrak{sl}(2)$ and $\mathfrak{g}(8, 3)_{\bar{1}} = R(\pi_4) \otimes \text{id}$.



12.1.8 $\mathfrak{g}(4, 6)$ of $\text{sdim} = 66|32$

We have $\mathfrak{g}(4, 6)_{\bar{0}} = \mathfrak{o}(12)$ and $\mathfrak{g}(4, 6)_{\bar{1}} = R(\pi_5)$.



$$\begin{pmatrix} - & - & - & 2 & - & 3 \\ - & - & 4 & 1 & 5 & - \\ - & - & - & - & - & 1 \\ - & 6 & 2 & - & - & - \\ - & - & - & - & 2 & - \\ 7 & 4 & - & - & - & - \\ 6 & - & - & - & - & - \end{pmatrix}, \quad 1) \quad \begin{pmatrix} 2 & -1 & 0 & 0 & 0 & 0 \\ -1 & 2 & -1 & 0 & 0 & 0 \\ 0 & -1 & 2 & -1 & 0 & 0 \\ 0 & 0 & -2 & 0 & -2 & -1 \\ 0 & 0 & 0 & -1 & 2 & 0 \\ 0 & 0 & 0 & -1 & 0 & 0 \end{pmatrix},$$

$$2) \quad \begin{pmatrix} 2 & -1 & 0 & 0 & 0 & 0 \\ -1 & 2 & -1 & 0 & 0 & 0 \\ 0 & -2 & 0 & -1 & -1 & 0 \\ 0 & 0 & -1 & 0 & -1 & -2 \\ 0 & 0 & -1 & -1 & 0 & 0 \\ 0 & 0 & 0 & -1 & 0 & 2 \end{pmatrix}, \quad 3) \quad \begin{pmatrix} 2 & -1 & 0 & 0 & 0 & 0 \\ -1 & 2 & -1 & 0 & 0 & 0 \\ 0 & -1 & 2 & -1 & 0 & 0 \\ 0 & 0 & -1 & 2 & -1 & -1 \\ 0 & 0 & 0 & -1 & 2 & 0 \\ 0 & 0 & 0 & -1 & 0 & 0 \end{pmatrix},$$

$$4) \quad \begin{pmatrix} 2 & -1 & 0 & 0 & 0 & 0 \\ -2 & 0 & -1 & 0 & 0 & 0 \\ 0 & -1 & 0 & -2 & -2 & 0 \\ 0 & 0 & -1 & 2 & 0 & -1 \\ 0 & 0 & -1 & 0 & 2 & 0 \\ 0 & 0 & 0 & -1 & 0 & 2 \end{pmatrix}, \quad 5) \quad \begin{pmatrix} 2 & -1 & 0 & 0 & 0 & 0 \\ -1 & 2 & -1 & 0 & 0 & 0 \\ 0 & -1 & 2 & 0 & -1 & 0 \\ 0 & 0 & 0 & 2 & -1 & -1 \\ 0 & 0 & -1 & -1 & 0 & 0 \\ 0 & 0 & 0 & -1 & 0 & 2 \end{pmatrix},$$

$$6) \quad \begin{pmatrix} 0 & -1 & 0 & 0 & 0 & 0 \\ -1 & 0 & -2 & 0 & 0 & 0 \\ 0 & -1 & 2 & -1 & -1 & 0 \\ 0 & 0 & -1 & 2 & 0 & -1 \\ 0 & 0 & -1 & 0 & 2 & 0 \\ 0 & 0 & 0 & -1 & 0 & 2 \end{pmatrix}, \quad 7) \quad \begin{pmatrix} 0 & -1 & 0 & 0 & 0 & 0 \\ -1 & 2 & -1 & 0 & 0 & 0 \\ 0 & -1 & 2 & -1 & -1 & 0 \\ 0 & 0 & -1 & 2 & 0 & -1 \\ 0 & 0 & -1 & 0 & 2 & 0 \\ 0 & 0 & 0 & -1 & 0 & 2 \end{pmatrix}.$$

12.1.9 $\mathfrak{g}(6, 6)$ of $\text{sdim} = 78|64$

We have $\mathfrak{g}(6, 6)_{\bar{0}} = \mathfrak{o}(13)$ and $\mathfrak{g}(6, 6)_{\bar{1}} = \text{spin}_{13}$.

$$\begin{pmatrix} 2 & 3 & - & 4 & - & 5 \\ 1 & - & - & 6 & - & 7 \\ - & 1 & 8 & 9 & - & 10 \\ 6 & 9 & 11 & 1 & 12 & - \\ 7 & 10 & - & - & - & 1 \\ 4 & - & 13 & 2 & 14 & - \\ 5 & - & - & - & - & 2 \\ - & - & 3 & - & - & 15 \\ - & 4 & - & 3 & 16 & - \\ - & 5 & 15 & - & - & 3 \\ 13 & - & 4 & - & - & - \\ 14 & 16 & - & - & 4 & - \\ 11 & 17 & 6 & - & - & - \\ 12 & - & - & - & 6 & - \\ - & - & 10 & 18 & - & 8 \\ - & 12 & 19 & - & 9 & - \\ - & 13 & - & - & - & - \\ - & - & - & 15 & 20 & - \\ - & - & 16 & - & - & - \\ - & - & - & - & 18 & 21 \\ - & - & - & - & - & 20 \end{pmatrix}, \quad 1) \begin{pmatrix} 0 & -1 & 0 & 0 & 0 & 0 \\ -1 & 0 & -2 & 0 & 0 & 0 \\ 0 & -1 & 2 & -1 & 0 & 0 \\ 0 & 0 & -2 & 0 & -2 & -1 \\ 0 & 0 & 0 & -1 & 2 & 0 \\ 0 & 0 & 0 & -1 & 0 & 0 \end{pmatrix}, \quad 2) \begin{pmatrix} 0 & -2 & 0 & 0 & 0 & 0 \\ -1 & 2 & -1 & 0 & 0 & 0 \\ 0 & -1 & 2 & -1 & 0 & 0 \\ 0 & 0 & -2 & 0 & -2 & -1 \\ 0 & 0 & 0 & -1 & 2 & 0 \\ 0 & 0 & 0 & -1 & 0 & 0 \end{pmatrix}, \quad 3) \begin{pmatrix} 2 & -1 & 0 & 0 & 0 & 0 \\ -2 & 0 & -1 & 0 & 0 & 0 \\ 0 & -1 & 0 & -2 & 0 & 0 \\ 0 & 0 & -2 & 0 & -2 & -1 \\ 0 & 0 & 0 & -1 & 2 & 0 \\ 0 & 0 & 0 & -1 & 0 & 0 \end{pmatrix},$$

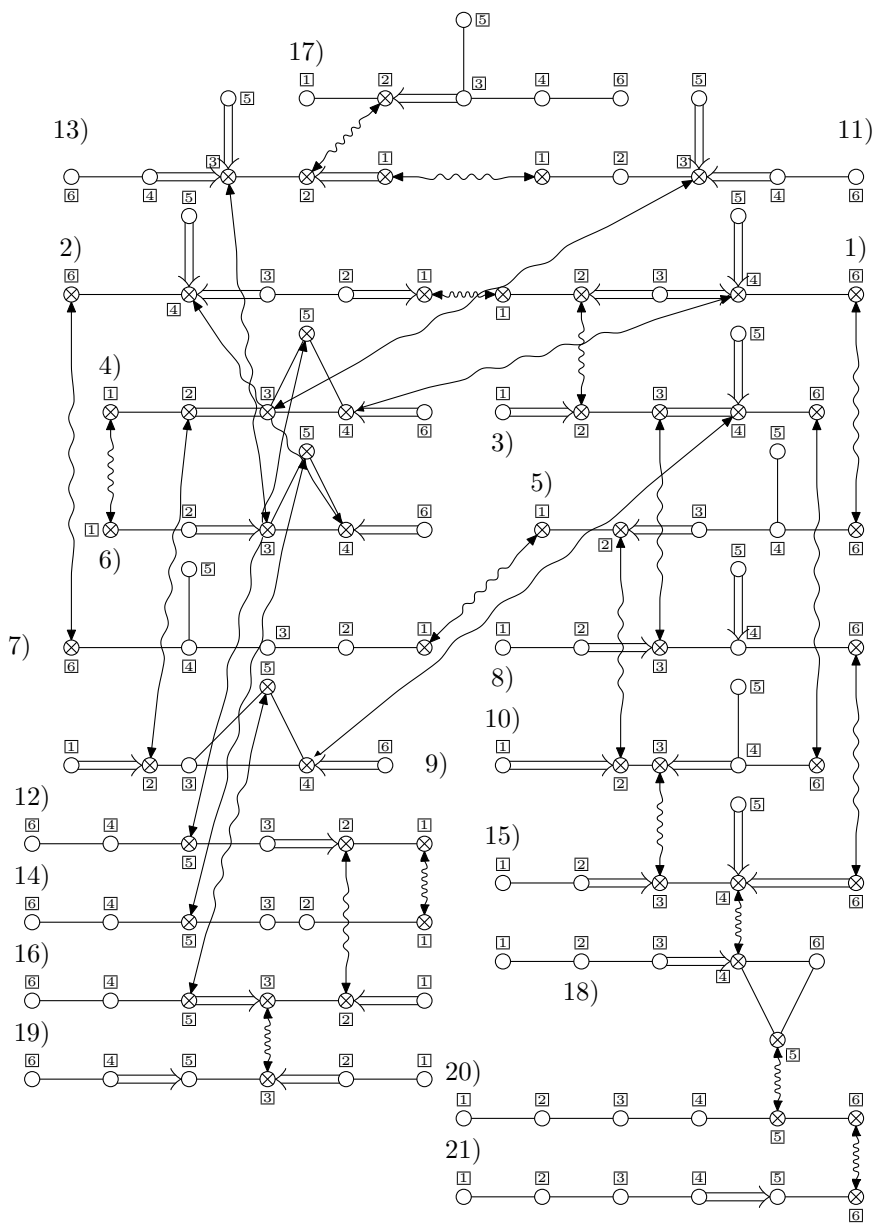
$$4) \begin{pmatrix} 0 & -1 & 0 & 0 & 0 & 0 \\ -1 & 0 & -2 & 0 & 0 & 0 \\ 0 & -2 & 0 & -1 & -1 & 0 \\ 0 & 0 & -1 & 0 & -1 & -2 \\ 0 & 0 & -1 & -1 & 0 & 0 \\ 0 & 0 & 0 & -1 & 0 & 2 \end{pmatrix}, \quad 5) \begin{pmatrix} 0 & -1 & 0 & 0 & 0 & 0 \\ -1 & 0 & -2 & 0 & 0 & 0 \\ 0 & -1 & 2 & -1 & 0 & 0 \\ 0 & 0 & -1 & 2 & -1 & -1 \\ 0 & 0 & 0 & -1 & 2 & 0 \\ 0 & 0 & 0 & -1 & 0 & 0 \end{pmatrix}, \quad 6) \begin{pmatrix} 0 & -1 & 0 & 0 & 0 & 0 \\ -1 & 2 & -1 & 0 & 0 & 0 \\ 0 & -2 & 0 & -1 & -1 & 0 \\ 0 & 0 & -1 & 0 & -1 & -2 \\ 0 & 0 & -1 & -1 & 0 & 0 \\ 0 & 0 & 0 & -1 & 0 & 2 \end{pmatrix},$$

$$7) \begin{pmatrix} 0 & -1 & 0 & 0 & 0 & 0 \\ -1 & 2 & -1 & 0 & 0 & 0 \\ 0 & -1 & 2 & -1 & 0 & 0 \\ 0 & 0 & -1 & 2 & -1 & -1 \\ 0 & 0 & 0 & -1 & 2 & 0 \\ 0 & 0 & 0 & -1 & 0 & 0 \end{pmatrix}, \quad 8) \begin{pmatrix} 2 & -1 & 0 & 0 & 0 & 0 \\ -1 & 2 & -1 & 0 & 0 & 0 \\ 0 & -2 & 0 & -1 & 0 & 0 \\ 0 & 0 & -1 & 2 & -2 & -1 \\ 0 & 0 & 0 & -1 & 2 & 0 \\ 0 & 0 & 0 & -1 & 0 & 0 \end{pmatrix}, \quad 9) \begin{pmatrix} 2 & -1 & 0 & 0 & 0 & 0 \\ -2 & 0 & -1 & 0 & 0 & 0 \\ 0 & -1 & 2 & -1 & -1 & 0 \\ 0 & 0 & -1 & 0 & -1 & -2 \\ 0 & 0 & -1 & -1 & 0 & 0 \\ 0 & 0 & 0 & -1 & 0 & 2 \end{pmatrix},$$

$$10) \begin{pmatrix} 2 & -1 & 0 & 0 & 0 & 0 \\ -2 & 0 & -1 & 0 & 0 & 0 \\ 0 & -1 & 0 & -2 & 0 & 0 \\ 0 & 0 & -1 & 2 & -1 & -1 \\ 0 & 0 & 0 & -1 & 2 & 0 \\ 0 & 0 & 0 & -1 & 0 & 0 \end{pmatrix}, \quad 11) \begin{pmatrix} 0 & -1 & 0 & 0 & 0 & 0 \\ -1 & 2 & -1 & 0 & 0 & 0 \\ 0 & -1 & 0 & -2 & -2 & 0 \\ 0 & 0 & -1 & 2 & 0 & -1 \\ 0 & 0 & -1 & 0 & 2 & 0 \\ 0 & 0 & 0 & -1 & 0 & 2 \end{pmatrix}, \quad 12) \begin{pmatrix} 0 & -1 & 0 & 0 & 0 & 0 \\ -1 & 0 & -2 & 0 & 0 & 0 \\ 0 & -1 & 2 & 0 & -1 & 0 \\ 0 & 0 & 0 & 2 & -1 & -1 \\ 0 & 0 & -1 & -1 & 0 & 0 \\ 0 & 0 & 0 & -1 & 0 & 2 \end{pmatrix},$$

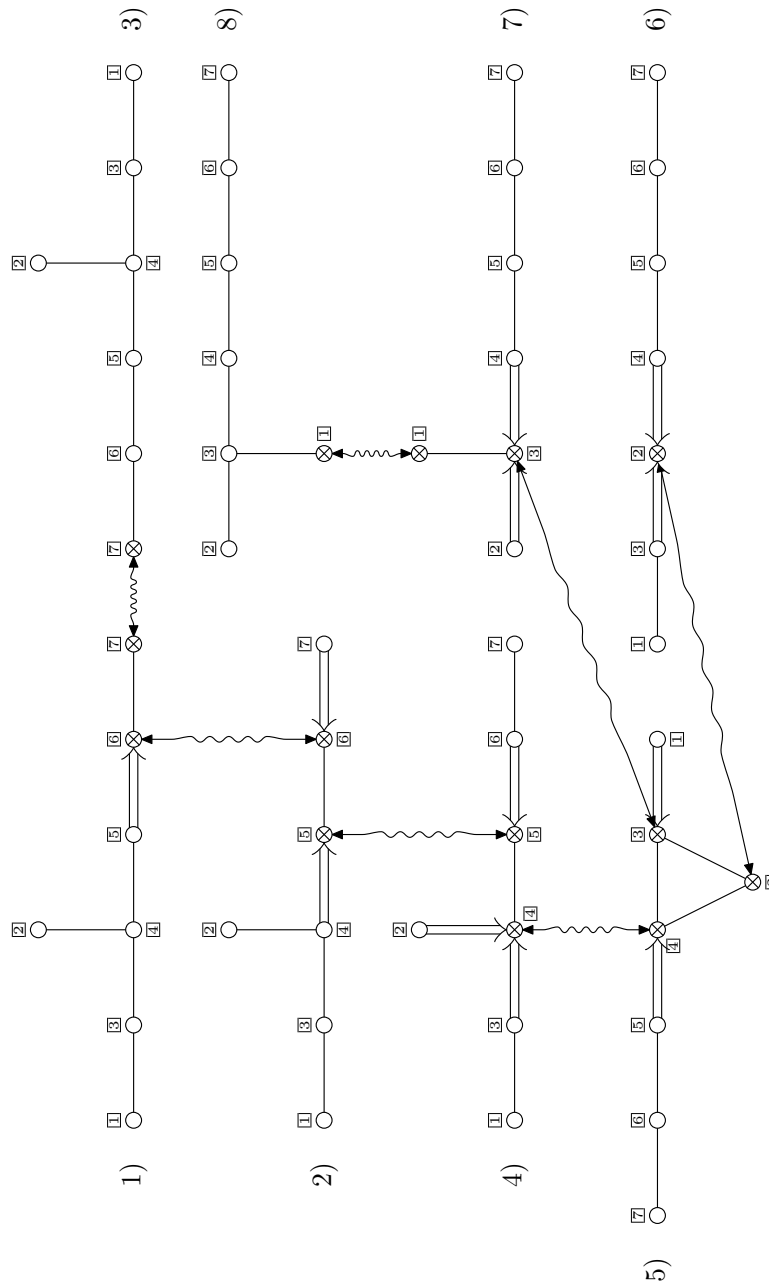
$$13) \begin{pmatrix} 0 & -1 & 0 & 0 & 0 & 0 \\ -2 & 0 & -1 & 0 & 0 & 0 \\ 0 & -1 & 0 & -2 & -2 & 0 \\ 0 & 0 & -1 & 2 & 0 & -1 \\ 0 & 0 & -1 & 0 & 2 & 0 \\ 0 & 0 & 0 & -1 & 0 & 2 \end{pmatrix}, \quad 14) \begin{pmatrix} 0 & -1 & 0 & 0 & 0 & 0 \\ -1 & 2 & -1 & 0 & 0 & 0 \\ 0 & -1 & 2 & 0 & -1 & 0 \\ 0 & 0 & 0 & 2 & -1 & -1 \\ 0 & 0 & -1 & -1 & 0 & 0 \\ 0 & 0 & 0 & -1 & 0 & 2 \end{pmatrix}, \quad 15) \begin{pmatrix} 2 & -1 & 0 & 0 & 0 & 0 \\ -1 & 2 & -1 & 0 & 0 & 0 \\ 0 & -2 & 0 & -1 & 0 & 0 \\ 0 & 0 & -1 & 0 & -2 & -2 \\ 0 & 0 & 0 & -1 & 2 & 0 \\ 0 & 0 & 0 & -1 & 0 & 0 \end{pmatrix},$$

$$\begin{aligned}
 & 16) \begin{pmatrix} 2 & -1 & 0 & 0 & 0 & 0 \\ -2 & 0 & -1 & 0 & 0 & 0 \\ 0 & -1 & 0 & 0 & -2 & 0 \\ 0 & 0 & 0 & 2 & -1 & -1 \\ 0 & 0 & -1 & -1 & 0 & 0 \\ 0 & 0 & 0 & -1 & 0 & 2 \end{pmatrix}, \quad 17) \begin{pmatrix} 2 & -1 & 0 & 0 & 0 & 0 \\ -1 & 0 & -2 & 0 & 0 & 0 \\ 0 & -1 & 2 & -1 & -1 & 0 \\ 0 & 0 & -1 & 2 & 0 & -1 \\ 0 & 0 & -1 & 0 & 2 & 0 \\ 0 & 0 & 0 & -1 & 0 & 2 \end{pmatrix}, \quad 18) \begin{pmatrix} 2 & -1 & 0 & 0 & 0 & 0 \\ -1 & 2 & -1 & 0 & 0 & 0 \\ 0 & -1 & 2 & -1 & 0 & 0 \\ 0 & 0 & -2 & 0 & -1 & -1 \\ 0 & 0 & 0 & -1 & 0 & -1 \\ 0 & 0 & 0 & -1 & -1 & 2 \end{pmatrix}, \\
 & 19) \begin{pmatrix} 2 & -1 & 0 & 0 & 0 & 0 \\ -1 & 2 & -1 & 0 & 0 & 0 \\ 0 & -2 & 0 & 0 & -1 & 0 \\ 0 & 0 & 0 & 2 & -1 & -1 \\ 0 & 0 & -1 & -2 & 2 & 0 \\ 0 & 0 & 0 & -1 & 0 & 2 \end{pmatrix}, \quad 20) \begin{pmatrix} 2 & -1 & 0 & 0 & 0 & 0 \\ -1 & 2 & -1 & 0 & 0 & 0 \\ 0 & -1 & 2 & -1 & 0 & 0 \\ 0 & 0 & -1 & 2 & -1 & 0 \\ 0 & 0 & 0 & -1 & 0 & -1 \\ 0 & 0 & 0 & 0 & -1 & 0 \end{pmatrix}, \quad 21) \begin{pmatrix} 2 & -1 & 0 & 0 & 0 & 0 \\ -1 & 2 & -1 & 0 & 0 & 0 \\ 0 & -1 & 2 & -1 & 0 & 0 \\ 0 & 0 & -1 & 2 & -1 & 0 \\ 0 & 0 & 0 & -2 & 2 & -1 \\ 0 & 0 & 0 & 0 & -1 & 0 \end{pmatrix}.
 \end{aligned}$$



12.1.10 $\mathfrak{g}(8, 6)$ of $\text{sdim} = 133|56$

We have $\mathfrak{g}(8, 6)_{\bar{0}} = \mathfrak{e}(7)$ and $\mathfrak{g}(8, 6)_{\bar{1}} = R(\pi_1)$.



$$\begin{pmatrix} - & - & - & - & - & 2 & 3 \\ - & - & - & - & 4 & 1 & - \\ - & - & - & - & - & - & 1 \\ - & - & - & 5 & 2 & - & - \\ - & 6 & 7 & 4 & - & - & - \\ - & 5 & - & - & - & - & - \\ 8 & - & 5 & - & - & - & - \\ 7 & - & - & - & - & - & - \end{pmatrix},$$

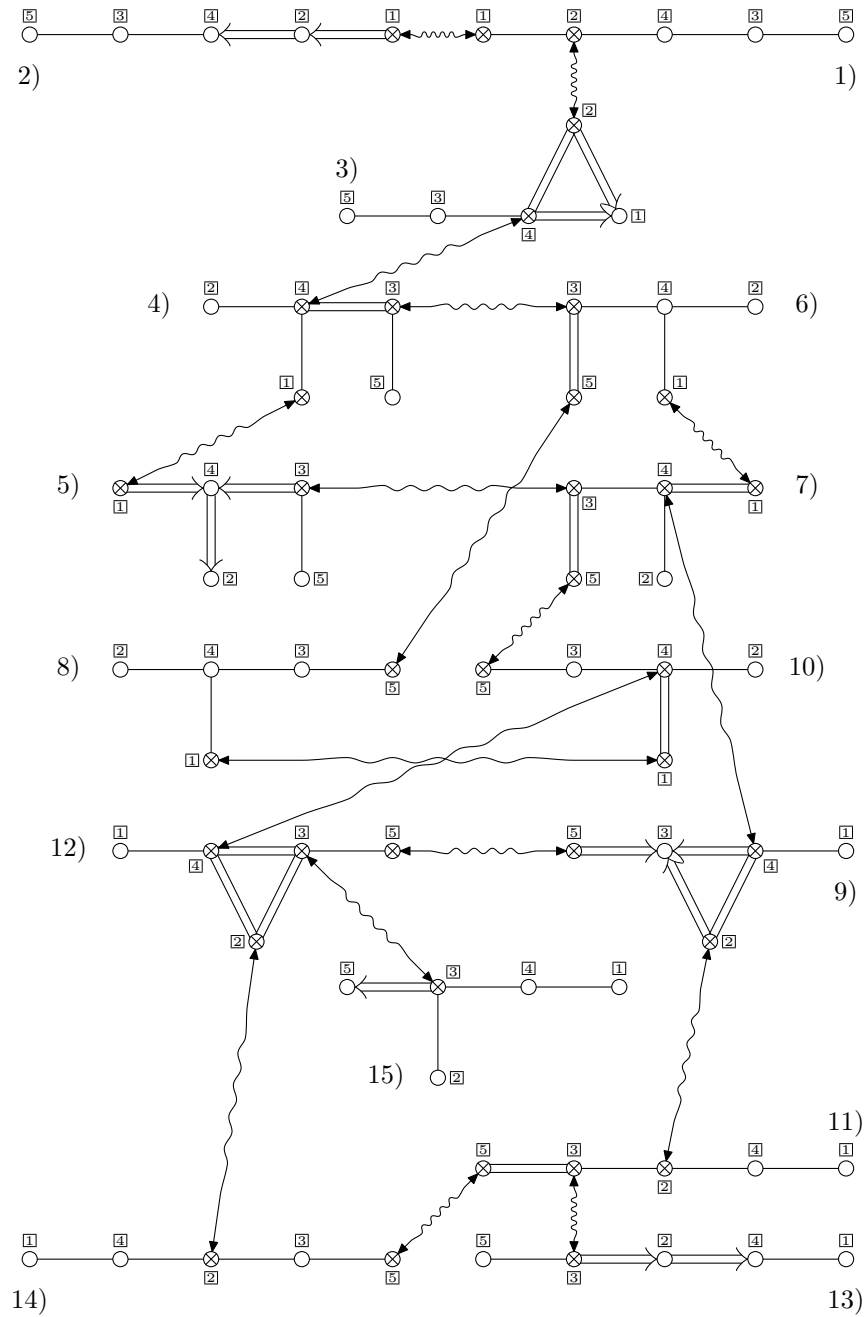
$$\begin{array}{l}
1) \begin{pmatrix} 2 & 0 & -1 & 0 & 0 & 0 & 0 \\ 0 & 2 & 0 & -1 & 0 & 0 & 0 \\ -1 & 0 & 2 & -1 & 0 & 0 & 0 \\ 0 & -1 & -1 & 2 & -1 & 0 & 0 \\ 0 & 0 & 0 & -1 & 2 & -1 & 0 \\ 0 & 0 & 0 & 0 & -2 & 0 & -1 \\ 0 & 0 & 0 & 0 & 0 & -1 & 0 \end{pmatrix}, \quad 2) \begin{pmatrix} 2 & 0 & -1 & 0 & 0 & 0 & 0 \\ 0 & 2 & 0 & -1 & 0 & 0 & 0 \\ -1 & 0 & 2 & -1 & 0 & 0 & 0 \\ 0 & -1 & -1 & 2 & -1 & 0 & 0 \\ 0 & 0 & 0 & -2 & 0 & -1 & 0 \\ 0 & 0 & 0 & 0 & -1 & 0 & -2 \\ 0 & 0 & 0 & 0 & 0 & -1 & 2 \end{pmatrix}, \\
3) \begin{pmatrix} 2 & 0 & -1 & 0 & 0 & 0 & 0 \\ 0 & 2 & 0 & -1 & 0 & 0 & 0 \\ -1 & 0 & 2 & -1 & 0 & 0 & 0 \\ 0 & -1 & -1 & 2 & -1 & 0 & 0 \\ 0 & 0 & 0 & -1 & 2 & -1 & 0 \\ 0 & 0 & 0 & 0 & -1 & 2 & -1 \\ 0 & 0 & 0 & 0 & 0 & -1 & 0 \end{pmatrix}, \quad 4) \begin{pmatrix} 2 & 0 & -1 & 0 & 0 & 0 & 0 \\ 0 & 2 & 0 & -1 & 0 & 0 & 0 \\ -1 & 0 & 2 & -1 & 0 & 0 & 0 \\ 0 & -2 & -2 & 0 & -1 & 0 & 0 \\ 0 & 0 & 0 & -1 & 0 & -2 & 0 \\ 0 & 0 & 0 & 0 & -1 & 2 & -1 \\ 0 & 0 & 0 & 0 & 0 & -1 & 2 \end{pmatrix}, \\
5) \begin{pmatrix} 2 & 0 & -1 & 0 & 0 & 0 & 0 \\ 0 & 0 & -1 & -1 & 0 & 0 & 0 \\ -2 & -1 & 0 & -1 & 0 & 0 & 0 \\ 0 & -1 & -1 & 0 & -2 & 0 & 0 \\ 0 & 0 & 0 & -1 & 2 & -1 & 0 \\ 0 & 0 & 0 & 0 & -1 & 2 & -1 \\ 0 & 0 & 0 & 0 & 0 & -1 & 2 \end{pmatrix}, \quad 6) \begin{pmatrix} 2 & 0 & -1 & 0 & 0 & 0 & 0 \\ 0 & 0 & -2 & -2 & 0 & 0 & 0 \\ -1 & -1 & 2 & 0 & 0 & 0 & 0 \\ 0 & -1 & 0 & 2 & -1 & 0 & 0 \\ 0 & 0 & 0 & -1 & 2 & -1 & 0 \\ 0 & 0 & 0 & 0 & -1 & 2 & -1 \\ 0 & 0 & 0 & 0 & 0 & -1 & 2 \end{pmatrix}, \\
7) \begin{pmatrix} 0 & 0 & -1 & 0 & 0 & 0 & 0 \\ 0 & 2 & -1 & 0 & 0 & 0 & 0 \\ -1 & -2 & 0 & -2 & 0 & 0 & 0 \\ 0 & 0 & -1 & 2 & -1 & 0 & 0 \\ 0 & 0 & 0 & -1 & 2 & -1 & 0 \\ 0 & 0 & 0 & 0 & -1 & 2 & -1 \\ 0 & 0 & 0 & 0 & 0 & -1 & 2 \end{pmatrix}, \quad 8) \begin{pmatrix} 0 & 0 & -1 & 0 & 0 & 0 & 0 \\ 0 & 2 & -1 & 0 & 0 & 0 & 0 \\ -1 & -1 & 2 & -1 & 0 & 0 & 0 \\ 0 & 0 & -1 & 2 & -1 & 0 & 0 \\ 0 & 0 & 0 & -1 & 2 & -1 & 0 \\ 0 & 0 & 0 & 0 & -1 & 2 & -1 \\ 0 & 0 & 0 & 0 & 0 & -1 & 2 \end{pmatrix}.
\end{array}$$

12.2 The Elduque superalgebra $\mathfrak{el}(5; 3)$: Systems of simple roots

Its superdimension is $39|32$; the even part is $\mathfrak{el}(5; 3)_{\bar{0}} = \mathfrak{o}(9) \oplus \mathfrak{sl}(2)$ and its odd part is irreducible: $\mathfrak{el}(5; 3)_{\bar{1}} = R(\pi_4) \otimes \text{id}$.

The following are all its Cartan matrices:

$$\begin{array}{l}
\begin{pmatrix} 2 & 3 & - & - & - \\ 1 & - & - & - & - \\ - & 1 & - & 4 & - \\ 5 & - & 6 & 3 & - \\ 4 & - & 7 & - & - \\ 7 & - & 4 & - & 8 \\ 6 & - & 5 & 9 & 10 \\ 10 & - & - & - & 6 \\ - & 11 & - & 7 & 12 \\ 8 & - & - & 12 & 7 \\ - & 9 & 13 & - & 14 \\ - & 14 & 15 & 10 & 9 \\ - & - & 11 & - & - \\ - & 12 & - & - & 11 \\ - & - & 12 & - & - \end{pmatrix}, \quad 1) \begin{pmatrix} 0 & -1 & 0 & 0 & 0 \\ -1 & 0 & 0 & -1 & 0 \\ 0 & 0 & 2 & -1 & -1 \\ 0 & -1 & -1 & 2 & 0 \\ 0 & 0 & -1 & 0 & 2 \end{pmatrix}, \quad 2) \begin{pmatrix} 0 & -2 & 0 & 0 & 0 \\ -1 & 2 & 0 & -2 & 0 \\ 0 & 0 & 2 & -1 & -1 \\ 0 & -1 & -1 & 2 & 0 \\ 0 & 0 & -1 & 0 & 2 \end{pmatrix}, \\
3) \begin{pmatrix} 2 & -1 & 0 & -1 & 0 \\ -2 & 0 & 0 & -2 & 0 \\ 0 & 0 & 2 & -1 & -1 \\ -2 & -2 & -1 & 0 & 0 \\ 0 & 0 & -1 & 0 & 2 \end{pmatrix}, \quad 4) \begin{pmatrix} 0 & 0 & 0 & -1 & 0 \\ 0 & 2 & 0 & -1 & 0 \\ 0 & 0 & 0 & -2 & -1 \\ -1 & -1 & -2 & 0 & 0 \\ 0 & 0 & -1 & 0 & 2 \end{pmatrix}.
\end{array}$$



$$\begin{aligned}
 & 5) \begin{pmatrix} 0 & 0 & 0 & -2 & 0 \\ 0 & 2 & 0 & -1 & 0 \\ 0 & 0 & 0 & -2 & -1 \\ -1 & -2 & -1 & 2 & 0 \\ 0 & 0 & -1 & 0 & 2 \end{pmatrix}, \quad 6) \begin{pmatrix} 0 & 0 & 0 & -1 & 0 \\ 0 & 2 & 0 & -1 & 0 \\ 0 & 0 & 0 & -1 & -2 \\ -1 & -1 & -1 & 2 & 0 \\ 0 & 0 & -2 & 0 & 0 \end{pmatrix}, \quad 7) \begin{pmatrix} 0 & 0 & 0 & -2 & 0 \\ 0 & 2 & 0 & -1 & 0 \\ 0 & 0 & 0 & -1 & -2 \\ -2 & -1 & -1 & 0 & 0 \\ 0 & 0 & -2 & 0 & 0 \end{pmatrix}, \\
 & 8) \begin{pmatrix} 0 & 0 & 0 & -1 & 0 \\ 0 & 2 & 0 & -1 & 0 \\ 0 & 0 & 2 & -1 & -1 \\ -1 & -1 & -1 & 2 & 0 \\ 0 & 0 & -1 & 0 & 0 \end{pmatrix}, \quad 9) \begin{pmatrix} 2 & 0 & 0 & -1 & 0 \\ 0 & 0 & -2 & -2 & 0 \\ 0 & -1 & 2 & -1 & -1 \\ -1 & -2 & -2 & 0 & 0 \\ 0 & 0 & -2 & 0 & 0 \end{pmatrix}, \quad 10) \begin{pmatrix} 0 & 0 & 0 & -2 & 0 \\ 0 & 2 & 0 & -1 & 0 \\ 0 & 0 & 2 & -1 & -1 \\ -2 & -1 & -1 & 0 & 0 \\ 0 & 0 & -1 & 0 & 0 \end{pmatrix},
 \end{aligned}$$

$$\begin{aligned}
11) & \begin{pmatrix} 2 & 0 & 0 & -1 & 0 \\ 0 & 0 & -1 & -1 & 0 \\ 0 & -1 & 0 & 0 & -2 \\ -1 & -1 & 0 & 2 & 0 \\ 0 & 0 & -2 & 0 & 0 \end{pmatrix}, \quad 12) \begin{pmatrix} 2 & 0 & 0 & -1 & 0 \\ 0 & 0 & -2 & -2 & 0 \\ 0 & -2 & 0 & -2 & -1 \\ -1 & -2 & -2 & 0 & 0 \\ 0 & 0 & -1 & 0 & 0 \end{pmatrix}, \quad \boxed{13)} \begin{pmatrix} 2 & 0 & 0 & -1 & 0 \\ 0 & 2 & -1 & -2 & 0 \\ 0 & -2 & 0 & 0 & -1 \\ -1 & -1 & 0 & 2 & 0 \\ 0 & 0 & -1 & 0 & 2 \end{pmatrix}, \\
14) & \begin{pmatrix} 2 & 0 & 0 & -1 & 0 \\ 0 & 0 & -1 & -1 & 0 \\ 0 & -1 & 2 & 0 & -1 \\ -1 & -1 & 0 & 2 & 0 \\ 0 & 0 & -1 & 0 & 0 \end{pmatrix}, \quad \boxed{15)} \begin{pmatrix} 2 & 0 & 0 & -1 & 0 \\ 0 & 2 & -1 & 0 & 0 \\ 0 & -1 & 0 & -1 & -2 \\ -1 & 0 & -1 & 2 & 0 \\ 0 & 0 & -1 & 0 & 2 \end{pmatrix}.
\end{aligned}$$

13 The answer: The case where $p = 2$

Simple Lie algebras:

- 1) The Lie algebras obtained from their Cartan matrices by reducing modulo 2 (for $\mathfrak{o}(2n+1)$ one has, first of all, to divide the last row by 2 in order to adequately normalize CM). We thus get:

the CM versions of \mathfrak{sl} , namely: $\mathfrak{sl}(2n+1)$, and $\mathfrak{gl}(2n)$ whose “simple core” is $\mathfrak{psl}(2n)$; in the “second” integer basis of $\mathfrak{g}(2)$ given in [24, p. 346], all structure constants are integer and $\mathfrak{g}(2)$ becomes, after reduction modulo 2, a simple Lie algebra $\mathfrak{psl}(4)$ (without Cartan matrix, as we know);

the “simple cores” of the orthogonal algebras, namely, of $\mathfrak{o}^{(1)}(2n+1)$ and $\mathfrak{oc}(2n)$; $\mathfrak{e}(6)$, $\mathfrak{e}(7)^{(1)}/\mathfrak{c}$, $\mathfrak{e}(8)$;

- 2) the Weisfeiler and Kac algebras $\mathfrak{wk}(3; a)^{(1)}/\mathfrak{c}$ and $\mathfrak{wk}(4; a)$.

Simple Lie superalgebras

In the list below the term “super version” of a Lie algebra $\mathfrak{g}(A)$ stands for a Lie superalgebra with the “same” root system as that of $\mathfrak{g}(A)$ but with some of the simple roots considered odd.

- 1) The Lie superalgebras obtained from their $p = 0$ analogs that have no -2 in off-diagonal slots of the Cartan matrix by reducing the structure constants modulo 2 (for $\mathfrak{osp}(2n+1|2m)$ one has, first of all, to divide the last row by 2 in order to normalize CM), we thus get

the CM versions of \mathfrak{sl} , namely: either simple $\mathfrak{sl}(a|a+2k+1)$ or $\mathfrak{gl}(a|2k+a)$ whose “simple core” is $\mathfrak{psl}(a|a+2k)$ for a odd or $\mathfrak{psl}(a|a+2k)^{(1)}$ for a even;

- 2) the ortho-orthogonal algebras, namely: $\mathfrak{oo}^{(1)}$ and $\mathfrak{oo}\mathfrak{c}$ whose “simple cores” are described in Section 6;
- 3) $\mathfrak{bgl}(3; a)^{(1)}/\mathfrak{c}$ which is an analog of $\mathfrak{wk}(3; a)^{(1)}/\mathfrak{c}$ with the “same” Cartan matrices but different root systems;
- 4) the CM versions of periplectic algebras, namely: \mathfrak{pec} ; these are at the same time super versions of \mathfrak{oc} ; their “simple cores” are described in Section 6;
- 5) a super version of $\mathfrak{wk}(4; a)$, namely: $\mathfrak{bgl}(4; a)$;
- 6) the super versions of $\mathfrak{e}(6)$, namely: $\mathfrak{e}(6, 1)$, $\mathfrak{e}(6, 6)$;
- 7) the super versions of $\mathfrak{e}(7)$, namely: $\mathfrak{e}(7, 1)$, $\mathfrak{e}(7, 6)$, $\mathfrak{e}(7, 7)$ whose “simple cores” are described in Section 13.1.5;
- 8) the super versions of $\mathfrak{e}(8)$, namely: $\mathfrak{e}(8, 1)$, $\mathfrak{e}(8, 8)$.

13.1 On the structure of $\mathfrak{bgl}(3; \alpha)$, $\mathfrak{bgl}(4; \alpha)$, and $\mathfrak{e}(a, b)$

In this section we describe the even parts $\mathfrak{g}_{\bar{0}}$ of the new Lie superalgebras $\mathfrak{g} = \mathfrak{g}(A)$ and their odd parts $\mathfrak{g}_{\bar{1}}$ as $\mathfrak{g}_{\bar{0}}$ -modules. SuperLie enumerates the elements of the Chevalley basis the x_i (positive), starting with the generators, then their brackets, etc., and the y_i are negative root vectors opposite to the x_i . Since the irreducible representations of the Lie algebras may have neither highest nor lowest weight, observe that the $\mathfrak{g}_{\bar{0}}$ -modules $\mathfrak{g}_{\bar{1}}$ always have both highest and lowest weights.

13.1.1 Notation $\mathfrak{A} \oplus_c \mathfrak{B}$ needed to describe $\mathfrak{bgl}(4; \alpha)$, $\mathfrak{e}(6, 6)$, $\mathfrak{e}(7, 6)$, and $\mathfrak{e}(8, 1)$

This notation describes the case where \mathfrak{A} and \mathfrak{B} are nontrivial central extensions of the Lie algebras \mathfrak{a} and \mathfrak{b} , respectively, and $\mathfrak{A} \oplus_c \mathfrak{B}$ – a nontrivial central extension of $\mathfrak{a} \oplus \mathfrak{b}$ (or, perhaps, a more complicated $\mathfrak{a} \in \mathfrak{b}$) with 1-dimensional center spanned by c – is such that the restriction of the extension of $\mathfrak{a} \oplus \mathfrak{b}$ to \mathfrak{a} gives \mathfrak{A} and that to \mathfrak{b} gives \mathfrak{B} . (In other words, the situation resembles the (nontrivial) central extension of the Lie algebra of derivations of the loop algebra, namely, $\mathfrak{g} \otimes \mathbb{C}[t^{-1}, t] \in \mathfrak{der}(\mathbb{C}[t^{-1}, t])$, where one central element serves both central extensions: That of $\mathfrak{g} \otimes \mathbb{C}[t^{-1}, t]$ and of $\mathfrak{der}(\mathbb{C}[t^{-1}, t])$.)

In these four cases, $\mathfrak{g}(A)_{\bar{0}}$ is of the form

$$\mathfrak{g}(B) \oplus_c \mathfrak{hei}(2) \simeq \mathfrak{g}(B) \oplus \text{Span}(X^+, X^-),$$

where the matrix B is not invertible (so $\mathfrak{g}(B)$ has a grading element d and a central element c), and where X^+ , X^- and c span the Heisenberg Lie algebra $\mathfrak{hei}(2)$. The brackets are:

$$\begin{aligned} [\mathfrak{g}^{(1)}(B), X^{\pm}] &= 0, \\ [d, X^{\pm}] &= X^{\pm}, \quad ([d, X^{\pm}] = \alpha X^{\pm} \text{ for } \mathfrak{bgl}(4; \alpha)), \\ [X^+, X^-] &= c. \end{aligned} \tag{13.1}$$

The odd part of $\mathfrak{g}(A)$ (at least in two of the four cases) consists of two copies of the same $\mathfrak{g}(B)$ -module N , the operators $\text{ad}_{X^{\pm}}$ permute these copies, and $\text{ad}_{X^{\pm}}^2 = 0$, so each of the operators maps one of the copies to the other, and this other copy to zero.

13.1.2 $\mathfrak{bgl}(3; \alpha)$, where $\alpha \neq 0, 1$; $\text{sdim} = 10/8|8$

We consider the following Cartan matrix and the corresponding positive root vectors (odd | even)

$$\begin{pmatrix} 0 & 1 & 0 \\ 1 & \bar{0} & \alpha \\ 0 & \alpha & \bar{0} \end{pmatrix} \quad \begin{array}{l} x_1 | x_2, \quad x_3, \\ x_4 = [x_1, x_2] | x_5 = [x_2, x_3], \quad x_6 = [x_3, [x_1, x_2]], | \\ x_7 = [[x_1, x_2], [x_2, x_3]] | . \end{array}$$

Then $\mathfrak{g}_{\bar{0}} \simeq \mathfrak{gl}(3) \oplus \mathbb{K}Z$. The $\mathfrak{g}_{\bar{0}}$ -module $\mathfrak{g}_{\bar{1}}$ is reducible, with the two highest weight vectors, x_7 and y_1 . The Cartan subalgebra of $\mathfrak{gl}(3) \oplus \mathbb{K}Z$ is spanned by $\alpha h_1 + h_3, h_2, h_3$ and Z . In this basis, the weight of x_7 is $(0, 1 + \alpha, 0, 1)$. The weight of y_1 is $(0, 1, 0, 1)$, if for the grading operator we take $(1, 0, 0) \in \mathfrak{gl}(3)$.

The lowest weight vectors of these modules are x_1 and y_7 and their weights are $(0, 1, 0, 1)$ and $(0, 1 + \alpha, 0, 1)$. The module generated by x_7 is $\text{Span}\{x_1, x_4, x_6, x_7\}$. The module generated by y_1 is $\text{Span}\{y_1, y_4, y_6, y_7\}$.

All inequivalent Cartan matrices are

$$\begin{pmatrix} d_1 & \alpha & 1 \\ \alpha & d_2 & 0 \\ 1 & 0 & d_3 \end{pmatrix}, \quad \begin{pmatrix} d_1 & \alpha & 1 + \alpha \\ \alpha & d_2 & 1 \\ 1 + \alpha & 1 & d_3 \end{pmatrix},$$

where (d_1, d_2, d_3) is any distribution of 0's and $\bar{0}$'s, except $(\bar{0}, \bar{0}, \bar{0})$.

13.1.3 $\mathfrak{bgl}(4; \alpha)$, where $\alpha \neq 0, 1$, of $\text{sdim} = 18|16$

We consider the following Cartan matrix and the corresponding positive root vectors (odd | even)

$$\begin{pmatrix} 0 & \alpha & 1 & 0 \\ \alpha & \bar{0} & 0 & 0 \\ 1 & 0 & \bar{0} & 1 \\ 0 & 0 & 1 & \bar{0} \end{pmatrix} \begin{array}{l} x_1 | x_2, \quad x_3, \quad x_4, \\ x_5 = [x_1, x_2], \quad x_6 = [x_1, x_3] | x_7 = [x_3, x_4], \\ x_8 = [x_3, [x_1, x_2]], \quad x_9 = [x_4, [x_1, x_3]] | \\ x_{11} = [[x_1, x_2], [x_3, x_4]] | x_{10} = [[x_1, x_2], [x_1, x_3]] \\ | x_{12} = [[x_1, x_2], [x_4, [x_1, x_3]]], \\ | x_{13} = [[x_3, [x_1, x_2]], [x_4, [x_1, x_3]]], \\ x_{14} = [[x_4, [x_1, x_3]], [[x_1, x_2], [x_1, x_3]]] | \\ x_{15} = [[[x_1, x_2], [x_1, x_3]], [[x_1, x_2], [x_3, x_4]]] | . \end{array}$$

In this case $\mathfrak{g}_{\bar{0}} \simeq \mathfrak{gl}(4) \oplus_c \mathfrak{hei}(2)$ see Section 13.1.1 with commutation relations (13.1). The $\mathfrak{g}_{\bar{0}}$ -module $\mathfrak{g}_{\bar{1}}$ is irreducible: $\mathfrak{g}_{\bar{1}} \simeq N \otimes \text{id}$, where id is the standard 2-dimensional $\mathfrak{hei}(2)$ -module and N is an 8-dimensional $\mathfrak{gl}(4)$ -module.

The highest weight vector x_{15} has weight $(\alpha, 0, 0, 0, \alpha)$ with respect to

$$c = h_2, \quad d = h_1, \quad H_1 = h_3, \quad H_2 = h_3, \quad H_3 = h_2 + h_3,$$

where the h_i 's are the Chevalley generators of the Cartan subalgebra of $\mathfrak{bgl}(4; \alpha)$. The lowest weight vector is y_{15} of the same weight as x_{15} .

All inequivalent Cartan matrices of $\mathfrak{bgl}(4; \alpha)$ are

$$\begin{pmatrix} d_1 & \alpha & 0 & 0 \\ \alpha & d_2 & 1 & 0 \\ 0 & 1 & d_3 & 1 \\ 0 & 0 & 1 & d_4 \end{pmatrix}, \quad \begin{pmatrix} d_1 & 1 & 1 + \alpha & 0 \\ 1 & d_2 & \alpha & 0 \\ \alpha + 1 & \alpha & d_3 & \alpha \\ 0 & 0 & \alpha & d_4 \end{pmatrix}, \quad \begin{pmatrix} d_1 & \alpha & 0 & 0 \\ \alpha & d_2 & \alpha + 1 & 0 \\ 0 & \alpha + 1 & d_3 & 1 \\ 0 & 0 & 1 & d_4 \end{pmatrix},$$

where $\{d_1, d_2, d_3, d_4\}$ is any distribution of 0's and $\bar{0}$'s, except $\{\bar{0}, \bar{0}, \bar{0}, \bar{0}\}$.

13.1.4. Proposition (cf. (9.5) and (9.2)).

1) We have

$$\begin{aligned} \mathfrak{bgl}(3; a) \simeq \mathfrak{bgl}(3; a') &\iff a' = \frac{\alpha a + \beta}{\gamma a + \delta}, \quad \text{where } \begin{pmatrix} \alpha & \beta \\ \gamma & \delta \end{pmatrix} \in \text{SL}(2; \mathbb{Z}/2) \\ \mathfrak{bgl}(4; a) \simeq \mathfrak{bgl}(4; a') &\iff a' = \frac{1}{a}. \end{aligned} \tag{13.2}$$

2) The 2|4-structures on $\mathfrak{bgl}(3; a)$ and $\mathfrak{bgl}(4; a)$ are given by the same formulas (9.6), (9.7), (9.8) as for $\mathfrak{wk}(3; a)$ and $\mathfrak{wk}(4; a)$ with the following amendment:

$$\begin{aligned} (e_{\alpha}^{\pm})^{[2]} &= 0 \quad \text{for any root vector } e_{\alpha} \text{ even,} \\ (e_{\alpha}^{\pm})^{[4]} &= ((e_{\alpha}^{\pm})^2)^{[2]} \quad \text{for any root vector } e_{\alpha} \text{ odd.} \end{aligned} \tag{13.3}$$

13.1.5 The ϵ -type superalgebras

Notation. The ϵ -type superalgebras will be denoted by (one of) their simplest Dynkin diagrams, i.e., $\epsilon(n, i)$ denotes the Lie superalgebra whose diagram is of the same shape as that of the Lie algebra $\epsilon(n)$ but with the only i -th node \otimes . This, and other ‘‘simplest’’, Cartan matrices are boxed. We enumerate the nodes of the Dynkin diagram of $\epsilon(n)$ as in [8, 41]: We first enumerate the nodes in the row corresponding to $\mathfrak{sl}(n)$ (from the end-point of the ‘‘longest’’ twig towards the branch point and further on along the second long twig), and the n th node is the end-point of the shortest ‘‘twig’’.

$\mathfrak{e}(6, 1) \simeq \mathfrak{e}(6, 5)$ of $\mathfrak{sdim} = 46|32$. We have $\mathfrak{g}_0 \simeq \mathfrak{oc}(2; 10) \oplus \mathbb{K}Z$ and \mathfrak{g}_1 is a reducible module of the form $R(\pi_4) \oplus R(\pi_5)$ with the two highest weight vectors

$$x_{36} = [[x_4, x_5], [x_6, [x_2, x_3]], [[x_3, [x_1, x_2]], [x_6, [x_3, x_4]]]]$$

and y_5 . Denote the basis elements of the Cartan subalgebra by $Z, h_1, h_2, h_3, h_4, h_6$. The weights of x_{36} and y_5 are respectively, $(0, 0, 0, 0, 0, 1)$ and $(0, 0, 0, 0, 1, 0)$. The module generated by x_{36} gives all odd positive roots and the module generated by y_5 gives all odd negative roots.

$\mathfrak{e}(6, 6)$ of $\mathfrak{sdim} = 38|40$. In this case, $\mathfrak{g}(B) \simeq \mathfrak{gl}(6)$, see Section 13.1.1. The module \mathfrak{g}_1 is irreducible with the highest weight vector

$$x_{35} = [[[x_3, x_6], [x_4, [x_2, x_3]], [[x_4, x_5], [x_3, [x_1, x_2]]]]] \text{ of weight } (0, 0, 1, 0, 0, 1).$$

We consider the highest weight with respect to the elements

$$h_1 := E_{11} - E_{22}, \dots, h_5 := E_{55} - E_{66}, h_6 := E_{11} + E_{22} + E_{33}$$

in $\mathfrak{gl}(6)$. We can equally well set

$$h_6 := E_{11} + E_{22} + E_{33} + ac \text{ for any } a \in \mathbb{K}, \text{ where } c \text{ is the non-zero central element of } \mathfrak{g}(B)$$

but in our choice of $h_6 = E_{11} + E_{22} + E_{33}$, we have $M = \bigwedge^3(\text{id})$, as a $\mathfrak{gl}(6)$ -module (note that to write $M = R(\pi_3)$ is not enough since this only describes M as an $\mathfrak{sl}(6)$ -module).

$\mathfrak{e}(7, 1)$ of $\mathfrak{sdim} = 80/78|54$. Since the Cartan matrix of this Lie superalgebra is of rank 6, a grading operator d_1 should be (and is) added. Now if we take $d_1 = (1, 0, 0, 0, 0, 0, 0)$, then $\mathfrak{g}_0 \simeq (\mathfrak{e}(6) \oplus \mathbb{K}z) \oplus \mathbb{K}I_0$. The Cartan subalgebra is spanned by $h_1 + h_3 + h_7, h_2, h_3, h_4, h_5, h_6, h_7$ and d_1 . We see that \mathfrak{g}_1 has the two highest weight vectors:

$$x_{63} = [[[[x_2, x_3], [x_4, x_7]], [[x_3, x_4], [x_5, x_6]], [[[x_4, x_7], [x_5, x_6]], [[x_4, x_5], [x_3, [x_1, x_2]]]]]]$$

and y_1 . Their respective weights (if we take $d_1 = (1, 0, 0, 0, 0, 0, 0)$) are $(0, 0, 0, 0, 0, 1, 0, 1)$ and $(0, 1, 0, 0, 0, 0, 0, 0)$. The module generated by x_{63} gives all odd positive roots and the module generated by y_1 gives all odd negative roots.

$\mathfrak{e}(7, 6)$ of $\mathfrak{sdim} = 70/68|64$. We are in the same situation as before (Section 13.1.1). We have $\mathfrak{g}(B) \simeq \mathfrak{oc}(1; 12) \in \mathbb{K}I_0$. Note that in this case $\text{size}(B) - \text{rk}(B) = 2$, so the center of $\mathfrak{g}(B)$ is 2-dimensional, and $\dim \mathfrak{g}(B) - \dim \mathfrak{g}^{(1)}(B) = 2$. So we should be a bit more specific than in (13.1); namely, we have

$$\begin{aligned} [\mathfrak{oc}(1; 12), X^\pm] &= 0, \\ [I_0, X^\pm] &= X^\pm, \\ [X^+, X^-] &= h_1 + h_3 + h_5 \text{ (which corresponds to } 1_{12} \text{ in } \mathfrak{oc}(1; 12)). \end{aligned}$$

The module \mathfrak{g}_1 is irreducible with the highest weight vector

$$x_{62} = [[[[x_7, [x_5, [x_3, x_4]]], [[x_1, x_2], [x_3, x_4]], [[[x_2, x_3], [x_4, x_5]], [[x_4, x_7], [x_5, x_6]]]]].$$

The Cartan subalgebra is spanned by $h_1 + h_3 + h_5, h_1, h_2, h_3, h_4, h_7$ and also h_6 and d_1 . The weight of x_{62} is $(1, 0, 0, 0, 0, 0, 1, 0)$. The highest weight vector of \mathfrak{g}_1 is the highest weight vector of one of the copies of the $\mathfrak{g}(B)$ -module N , see Section 13.1.1, so the highest weight of N is the same as the highest weight of \mathfrak{g}_1 . (Of course, this is true for the other two similar cases as well; in the case of $\mathfrak{e}(6, 6)$, we used Lebedev's choice – another basis of \mathfrak{h} – and expressed the weight with respect to it.)

$\epsilon(7, 7)$ of $\mathfrak{sdim} = 64/62|70$. Since the Cartan matrix of this Lie superalgebra is of rank 6, a grading operator d_1 should be (and is) added. Then $\mathfrak{g}_0 \simeq \mathfrak{gl}(8)$. The module $\mathfrak{g}_{\bar{1}}$ has the two highest weight vectors:

$$x_{58} = [[[[x_3, [x_1, x_2]], [x_6, [x_4, x_5]]], [[x_7, [x_3, x_4]], [[x_2, x_3], [x_4, x_5]]]]]$$

and y_7 . The Cartan subalgebra is spanned by $h_1, h_2, h_3, h_4, h_5, h_6$ and also $h_1 + h_3 + h_7$ and d_1 . The weight of x_{58} with respect to these elements of the Cartan subalgebra is $(0, 0, 1, 0, 0, 0, 0, 1)$ and the weight of y_7 is $(0, 0, 0, 1, 0, 0, 0, 1)$. The module generated by x_{58} gives all odd positive roots and the module generated by y_7 gives all odd negative roots.

$\epsilon(8, 1)$ of $\mathfrak{sdim} = 136|112$. We have (cf. Section 13.1.1) $\mathfrak{g}(B) \simeq \epsilon(7)$. (Recall that, in our notation, $\epsilon(7)^{(1)}$ has a center but not the grading operator, see Section ‘Warning’ 4.1.) The Cartan subalgebra is spanned by $h_2 + h_4 + h_8$ and $h_1, h_2, h_3, h_4, h_5, h_6, h_7$. The $\mathfrak{g}_{\bar{0}}$ -module $\mathfrak{g}_{\bar{1}}$ is irreducible with the highest weight vector:

$$x_{119} = [[[[[x_4, [x_2, x_3]], [[x_5, x_8], [x_6, x_7]]], [[x_8, [x_4, x_5]], [[x_3, x_4], [x_5, x_6]]]], [[x_7, [x_5, x_6]], [[x_1, x_2], [x_3, x_4]], [[x_8, [x_5, x_6]], [[x_2, x_3], [x_4, x_5]]]]]]]$$

of weight $(1, 1, 0, 0, 0, 0, 0, 1)$ and one lowest weight vector y_{119} whose expression is as above the x 's changed by the y 's, of the same weight as that of x_{119} . (Again, the highest weight of the $\mathfrak{g}(B)$ -module N , see Section 13.1.1, is the same as the highest weight of $\mathfrak{g}_{\bar{1}}$.)

$\epsilon(8, 8)$ of $\mathfrak{sdim} = 120|128$. In the \mathbb{Z} -grading with the 1st CM with $\deg e_8^\pm = \pm 1$ and $\deg e_i^\pm = 0$ for $i \neq 8$, we have $\mathfrak{g}_0 = \mathfrak{gl}(8) = \mathfrak{gl}(V)$. There are different isomorphisms between \mathfrak{g}_0 and $\mathfrak{gl}(8)$; using the one where $h_i = E_{i,i} + E_{i+1,i+1}$ for all $i = 1, \dots, 7$, and $h_8 = E_{6,6} + E_{7,7} + E_{8,8}$, we see that, as modules over $\mathfrak{gl}(V)$,

$$\begin{aligned} \mathfrak{g}_1 &= \bigwedge^5 V^*, & \mathfrak{g}_2 &= \bigwedge^6 V, & \mathfrak{g}_3 &= V, \\ \mathfrak{g}_{-1} &= \bigwedge^5 V, & \mathfrak{g}_{-2} &= \bigwedge^6 V^*, & \mathfrak{g}_{-3} &= V^*. \end{aligned}$$

We can also set $h_8 = E_{1,1} + E_{2,2} + E_{3,3} + E_{4,4} + E_{5,5}$. Then we get

$$\begin{aligned} \mathfrak{g}_1 &= \bigwedge^3 V, & \mathfrak{g}_2 &= \bigwedge^6 V, & \mathfrak{g}_3 &= \bigwedge^7 V^*, \\ \mathfrak{g}_{-1} &= \bigwedge^3 V^*, & \mathfrak{g}_{-2} &= \bigwedge^6 V^*, & \mathfrak{g}_{-3} &= \bigwedge^7 V. \end{aligned}$$

The algebra $\mathfrak{g}_{\bar{0}}$ is isomorphic to $\mathfrak{o}_{\Pi}^{(2)}(16) \in \mathbb{K}d$, where $d = E_{6,6} + \dots + E_{13,13}$, and $\mathfrak{g}_{\bar{1}}$ is an irreducible $\mathfrak{g}_{\bar{0}}$ -module with the highest weight the highest weight element x_{120} of weight $(1, 0, \dots, 0)$ with respect to h_1, \dots, h_8 ; $\mathfrak{g}_{\bar{1}}$ also possesses a lowest weight vector.

13.2 Systems of simple roots of the ϵ -type Lie superalgebras

13.2.1. Remark. Observe that if $p = 2$ and the Cartan matrix has no parameters, the reflections do not change the shape of the Dynkin diagram. Therefore, for the ϵ -superalgebras, it suffices to list distributions of parities of the nodes in order to describe the Dynkin diagrams. Since there are tens and even hundreds of diagrams in these cases, this possibility saves a lot of space, see the lists of all inequivalent Cartan matrices of the ϵ -type Lie superalgebras.

13.2.2 $\epsilon(6, 1) \simeq \epsilon(6, 5)$ of $\text{sdim } 46|32$

All inequivalent Cartan matrices are as follows (none of the matrices corresponding to the symmetric pairs of Dynkin diagrams is excluded but are placed one under the other for clarity, followed by three symmetric diagrams):

1)	000010	3)	010001	5)	100110	7)	000011	9)	000110	11)	000111
2)	100000	4)	000101	6)	110010	8)	100001	10)	110000	12)	110001
13)	111001	15)	101001	17)	011000	19)	101100	21)	011001	23)	011110
14)	001111	16)	001011	18)	001100	20)	011010	22)	001101	24)	111100
25)	010100	26)	100010	27)	110110						

13.2.3 $\epsilon(6, 6)$ of $\text{sdim} = 38|40$

All inequivalent Cartan matrices are as follows:

1)	000001	2)	000100	3)	001000	4)	010000	5)	011011	6)	101110	7)	111110
8)	011100	9)	101111	10)	011101	11)	101010	12)	111101	13)	010110	14)	101011
15)	110011	16)	001001	17)	011111	18)	110100	19)	010011	20)	101000	21)	111011
22)	001010	23)	100011	24)	110101	25)	001110	26)	111000	27)	010010	28)	100111
29)	100100	30)	110111	31)	100101	32)	111010	33)	010101	34)	010111	35)	101101
36)	111111												

13.2.4 $\epsilon(7, 1)$ of $\text{sdim} = 80/78|54$

All inequivalent Cartan matrices are as follows:

1)	1000000	2)	1000010	3)	1000110	4)	1001100	25)	0110000	26)	0110010	27)	0110110
5)	1010001	6)	1011001	7)	1100000	8)	1100010	21)	0011010	22)	0011110	23)	0100001
9)	1100110	10)	1101100	11)	1110001	12)	1111001	17)	0001101	18)	0001111	19)	0010100
13)	0000011	14)	0000101	15)	0000111	16)	0001011	28)	0111100	24)	0101001	20)	0011000

13.2.5 $\epsilon(7, 6)$ of $\text{sdim} = 70/68|64$

All inequivalent Cartan matrices are as follows:

1)	0000010	2)	0000100	3)	0000110	4)	0001000	62)	1111100	63)	1111110
5)	0001010	6)	0001100	7)	0001110	8)	0010001	60)	1111000	61)	1111010
9)	0010011	10)	0010101	11)	0010111	12)	0011001	58)	1110100	59)	1110110
13)	0011011	14)	0011101	15)	0011111	16)	0100000	56)	1110000	57)	1110010
17)	0100010	18)	0100100	19)	0100110	20)	0101000	54)	1101101	55)	1101111
21)	0101010	22)	0101100	23)	0101110	24)	0110001	52)	1101001	53)	1101011
25)	0110011	26)	0110101	27)	0110111	28)	0111001	50)	1100101	51)	1100111
29)	0111011	30)	0111101	31)	0111111	32)	1000001	48)	1100001	49)	1100011
33)	1000011	34)	1000101	35)	1000111	36)	1001001	46)	1011100	47)	1011110
37)	1001011	38)	1001101	39)	1001111	40)	1010000	44)	1011000	45)	1011010
41)	1010010	42)	1010100	43)	1010110						

13.2.6 $\epsilon(7, 7)$ of $\text{sdim} = 64/62|70$

All inequivalent Cartan matrices are as follows:

1)	0000001	2)	0001001	3)	0010000	4)	0010010	34)	1111011	35)	1111101
5)	0010110	6)	0011100	7)	0100011	8)	0100101	32)	1110101	33)	1110111
9)	0100111	10)	0101011	11)	0101101	12)	0101111	30)	1101110	31)	1110011
13)	0110100	14)	0111000	15)	0111010	16)	0111110	28)	1101000	29)	1101010
17)	1000100	18)	1001000	19)	1001010	20)	1001110	26)	1011111	27)	1100100
21)	1010011	22)	1010101	23)	1010111	24)	1011011	25)	1011101		

13.2.7 $\epsilon(8, 1)$ of $\text{sdim} = 136|112$

All inequivalent Cartan matrices are as follows:

1)	10000000	2)	10000010	3)	10000011	4)	10000101	120)	01111110
5)	10000110	6)	10000111	7)	10001011	8)	10001100	119)	01111010
9)	10001101	10)	10001111	11)	10010001	12)	10010100	118)	01111001
13)	10011000	14)	10011001	15)	10011010	16)	10011110	117)	01111000
17)	10100000	18)	10100001	19)	10100010	20)	10100110	116)	01110100
21)	10101001	22)	10101100	23)	10110000	24)	10110001	115)	01110001
25)	10110010	26)	10110110	27)	10111001	28)	10111100	114)	01101111
29)	11000000	30)	11000010	31)	11000011	32)	11000101	113)	01101101
33)	11000110	34)	11000111	35)	11001011	36)	11001100	112)	01101100
37)	11001101	38)	11001111	39)	11010001	40)	11010100	111)	01101011
41)	11011000	42)	11011001	43)	11011010	44)	11011110	110)	01100111
45)	11100000	46)	11100001	47)	11100010	48)	11100110	109)	01100110
49)	11101001	50)	11101100	51)	11110000	52)	11110001	108)	01100101
53)	11110010	54)	11110110	55)	11111001	56)	11111100	107)	01100011
57)	00000011	58)	00000100	59)	00000101	60)	00000111	106)	01100010
61)	00001000	62)	00001010	63)	00001011	64)	00001101	105)	01100000
65)	00001110	66)	00001111	67)	00010011	68)	00010100	104)	01011100
69)	00010101	70)	00010111	71)	00011000	72)	00011010	103)	01011001
73)	00011011	74)	00011101	75)	00011110	76)	00011111	102)	01010110
77)	00100001	78)	00100100	79)	00101000	80)	00101001	101)	01010010
81)	00101010	82)	00101110	83)	00110000	84)	00110010	100)	01010001
85)	00110011	86)	00110101	87)	00110110	88)	00110111	99)	01010000
89)	00111011	90)	00111100	91)	00111101	92)	00111111	98)	01001100
93)	01000000	94)	01000001	95)	01000010	96)	01000110	97)	01001001

13.2.8 $\epsilon(8, 8)$ of $\text{sdim} = 120|128$

All inequivalent Cartan matrices are as follows:

1)	00000001	2)	00000010	12)	00100000	6)	00010000	109)	11010101
5)	00001100	4)	00001001	7)	00010001	8)	00010010	110)	11010110
9)	00010110	10)	00011001	11)	00011100	3)	00000110	111)	11010111
13)	00100010	14)	00100011	15)	00100101	16)	00100110	112)	11011011
17)	00100111	18)	00101011	19)	00101100	20)	00101101	113)	11011100
21)	00101111	22)	00110001	23)	00110100	24)	00111000	114)	11011101
25)	00111001	26)	00111010	27)	00111110	28)	01000011	115)	11011111
29)	01000100	30)	01000101	31)	01000111	32)	01001000	116)	11100011
33)	01001010	34)	01001011	35)	01001101	36)	01001110	117)	11100100
37)	01001111	38)	01010011	39)	01010100	40)	01010101	118)	11100101
41)	01010111	42)	01011000	43)	01011010	44)	01011011	119)	11100111
45)	01011101	46)	01011110	47)	01011111	48)	01100001	120)	11101000
49)	01100100	50)	01101000	51)	01101001	52)	01101010	121)	11101010
53)	01101110	54)	01110000	55)	01110010	56)	01110011	122)	11101011
57)	01110101	58)	01110110	59)	01110111	60)	01111011	123)	11101101
61)	01111100	62)	01111101	63)	01111111	64)	10000001	124)	11101110
65)	10000100	66)	10001000	67)	10001001	68)	10001010	125)	11101111
69)	10001110	70)	10010000	71)	10010010	72)	10010011	126)	11110011
73)	10010101	74)	10010110	75)	10010111	76)	10011011	127)	11110100
77)	10011100	78)	10011101	79)	10011111	80)	10100011	128)	11110101
81)	10100100	82)	10100101	83)	10100111	84)	10101000	129)	11110111
85)	10101010	86)	10101011	87)	10101101	88)	10101110	130)	11111000
89)	10101111	90)	10110011	91)	10110100	92)	10110101	131)	11111010
93)	10110111	94)	10111000	95)	10111010	96)	10111011	132)	11111011
97)	10111101	98)	10111110	99)	10111111	100)	11000001	133)	11111101
101)	11000100	102)	11001000	103)	11001001	104)	11001010	134)	11111110
105)	11001110	106)	11010000	107)	11010010	108)	11010011	135)	11111111

14 Table. Dynkin diagrams for $p = 2$

Diagrams	\mathfrak{g}	v	ev	od	png	$ng \leq \min(*, *)$
1)	$\text{ooe}(2; 2k_{\bar{0}} 2k_{\bar{1}}) \in \mathbb{K}I_0$ if $k_{\bar{0}} + k_{\bar{1}}$ is odd; $\text{ooe}(1; 2k_{\bar{0}} 2k_{\bar{1}}) \in \mathbb{K}I_0$ if $k_{\bar{0}} + k_{\bar{1}}$ is even.	$k_{\bar{0}} + k_{\bar{1}}$	$k_{\bar{0}} - 2$	$k_{\bar{1}}$	$\bar{0}$	$2k_{\bar{0}} - 4, 2k_{\bar{1}}$
$k_{\bar{1}}$			$k_{\bar{0}} - 2$	$\bar{1}$	$2k_{\bar{0}} - 3, 2k_{\bar{1}} - 1$	
2)			$k_{\bar{1}} - 2$	$k_{\bar{0}}$	$\bar{0}$	$2k_{\bar{0}}, 2k_{\bar{1}} - 4$
			$k_{\bar{0}}$	$k_{\bar{1}} - 2$	$\bar{1}$	$2k_{\bar{0}} - 1, 2k_{\bar{1}} - 3$
3)	$\text{oo}_{\text{III}}^{(1)}(2k_{\bar{0}} + 1 2k_{\bar{1}})$	$k_{\bar{0}} + k_{\bar{1}}$	$k_{\bar{0}} - 1$	$k_{\bar{1}}$	$\bar{0}$	$2k_{\bar{0}} - 2, 2k_{\bar{1}}$
4)			$k_{\bar{1}}$	$k_{\bar{0}} - 1$	$\bar{1}$	$2k_{\bar{0}} - 1, 2k_{\bar{1}} - 1$
			$k_{\bar{1}} - 1$	$k_{\bar{0}}$	$\bar{0}$	$2k_{\bar{0}}, 2k_{\bar{1}} - 2$
			$k_{\bar{0}}$	$k_{\bar{1}} - 1$	$\bar{1}$	$2k_{\bar{0}} - 1, 2k_{\bar{1}} - 1$
5)	$\text{pec}(2; m) \in \mathbb{K}I_0$ if m is odd; $\text{pec}(1; m) \in \mathbb{K}I_0$ if m is even.	m				

14.1 Notation

The Dynkin diagrams in Table 14 correspond to CM Lie superalgebras close to ortho-orthogonal and periplectic Lie superalgebras. Each thin black dot may be \otimes or \odot ; the last five columns show conditions on the diagrams; in the last four columns, it suffices to satisfy conditions in any one row. Horizontal lines in the last four columns separate the cases corresponding to different Dynkin diagrams. The notations are:

v is the total number of nodes in the diagram;

ng is the number of “grey” nodes \otimes 's among the thin black dots;

png is the parity of this number;

ev and od are the number of thin black dots such that the number of \otimes 's to the left from them is even and odd, respectively.

15 Fixed points of symmetries of the Dynkin diagrams

15.1 Recapitulation

For $p = 0$, it is well known that the Lie algebras of series B and C and the exceptions F and G are obtained as the sets of fixed points of the outer automorphism of an appropriate Lie algebra of ADE series. All these automorphisms correspond to the symmetries of the respective Dynkin diagram. Not all simple finite dimensional Lie superalgebras can be obtained as the sets of fixed points of the symmetry of an appropriate Dynkin diagram, but many of them can, see [21].

Recall Serganova's result [47] on outer automorphisms (i.e., the modulo the connected component of the unity of the automorphism group) of simple finite dimensional Lie superalgebras for $p = 0$. The symmetry of the Dynkin diagram of $\mathfrak{sl}(n)$ corresponds to the transposition with respect to the side diagonal, conjugate in the group of automorphisms of $\mathfrak{sl}(n)$ to the "minus transposition" $X \mapsto -X^t$. In the super case, this automorphism becomes $X \mapsto -X^{st}$, where

$$\begin{pmatrix} A & B \\ C & D \end{pmatrix}^{st} = \begin{pmatrix} A^t & -C^t \\ B^t & D^t \end{pmatrix}.$$

This automorphism, seemingly of order 4, is actually of order 2 modulo the connected component of the unity of the automorphism group, and is of order 4 only for $\mathfrak{sl}(2n+1|2m+1)$.

The queer Lie superalgebra $\mathfrak{q}(n)$ is obtained as the set of fixed points of the automorphism

$$\Pi : \begin{pmatrix} A & B \\ C & D \end{pmatrix} \mapsto \begin{pmatrix} D & C \\ B & A \end{pmatrix}$$

of $\mathfrak{gl}(n|n)$ corresponding to the symmetry of the Dynkin diagram

$$\overset{11}{\circ} - \dots - \overset{1n}{\circ} - \otimes - \overset{21}{\circ} - \dots - \overset{2n}{\circ} \mapsto \overset{21}{\circ} - \dots - \overset{2n}{\circ} - \otimes - \overset{11}{\circ} - \dots - \overset{1n}{\circ}$$

which interchanges the identical maximal parts $\circ - \dots - \circ$ *preserving* the order of nodes; whereas $\mathfrak{pe}(n)$ is the set of fixed points of the composition automorphism $\Pi \circ (-st)$.

15.2 New result

The modular version of the above statements is given in the next Theorem in which, speaking about ortho-orthogonal and periplectic superalgebras, we distinguish the cases where the fork node is grey or white ($g\mathfrak{g}(A)$ and $w\mathfrak{g}(A)$, respectively); to squeeze the data in the table, we write $\hat{\mathfrak{g}}$ instead of $\mathfrak{g} \in \mathbb{K}I_0$. We also need the following decomposable Cartan matrices ($p = 2$):

$$\mathcal{N} := \begin{pmatrix} \bar{0} & 1 & 0 & 0 \\ 1 & \bar{0} & 0 & 0 \\ 0 & 1 & \bar{0} & 1 \\ 0 & 0 & 1 & \bar{0} \end{pmatrix}, \quad \mathcal{M} := \begin{pmatrix} \bar{0} & 1 & 0 & 0 \\ 1 & 0 & 0 & 0 \\ 0 & 1 & \bar{0} & 1 \\ 0 & 0 & 1 & \bar{0} \end{pmatrix}.$$

15.2.1 The Lie algebra $\mathfrak{g}(\mathcal{N})$

It is of $\dim 34$ and not simple; it contains a simple ideal of $\dim = 26$ which is $\mathfrak{o}(1;8)^{(1)}/\mathfrak{c}$ and the quotient is isomorphic to $\mathfrak{sl}(3)$.

15.2.2 The Lie superalgebra $\mathfrak{g}(\mathcal{M})$

It is of $\text{sdim } 18|16$ and not simple. Its even part is $\mathfrak{hei}(2) \oplus_{\mathfrak{c}} \mathfrak{g}(C)$, where $\mathfrak{hei}(2) = \text{Span}\{X^{\pm}, c\}$ and c is the center of the Lie algebra $\mathfrak{g}(C)$, where

$$C := \begin{pmatrix} \bar{0} & 0 & 0 \\ 0 & \bar{0} & 1 \\ 0 & 1 & \bar{0} \end{pmatrix}.$$

The brackets are as follows:

$$[X^\pm, \mathfrak{g}(C)^{(1)}] = 0, \quad [X^\pm, d] = X^\pm, \quad [X^+, X^-] = c,$$

where d is the grading operator of the Lie algebra $\mathfrak{g}(C)$.

Now the Cartan subalgebra of $\mathfrak{g}(\mathcal{M})$ is generated by $h_3, h_6, h_1 + h_5, h_2 + h_4$ and the highest weight vector of the module $\mathfrak{g}(\mathcal{M})_{\bar{1}}$ is $x_{32} + x_{33}$, where

$$x_{32} = [[[x_1, x_2], [x_3, x_4]], [[x_3, x_6], [x_4, x_5]]], \quad x_{33} = [[[x_1, x_2], [x_3, x_6]], [[x_2, x_3], [x_4, x_5]]].$$

Its weight is $(0, 0, 1, 0)$ (according to the ordering of the generators of the Cartan subalgebra as above).

The restriction of the module to $\mathfrak{hei}(2)$ consists of 8 copies of the 2-dimensional irreducible Fock module; the restriction to $\mathfrak{g}(C)$ consists of 2 copies of an irreducible 8-dimensional module.

The lowest weight vector is $y_{32} + y_{33}$ with weight $(0, 0, 1, 0)$.

The Lie superalgebra $\mathfrak{g}(\mathcal{M})$ has a simple ideal, of $\text{sdim} = 10|16$ which is $\mathfrak{oo}(1; 4|4)^{(1)}/\mathfrak{c}$ (to be described separately below) and the quotient is isomorphic to $\mathfrak{sl}(3)$.

15.2.3. Theorem. *If the Dynkin diagram of $\mathfrak{ig}(A)$ is symmetric, it gives rise to an outer automorphism σ whose fixed points constitute the Lie superalgebra $(\mathfrak{ig}(A))^\sigma$ which occupies the slot under $\mathfrak{ig}(A)$ in the following tables (15.1), (15.2), (15.3).*

1) $p = 2$: *The order 2 automorphisms of the \mathfrak{sl} series corresponding to the symmetries of Dynkin diagrams give the following fixed points, where $\sigma = t$ is the transposition, unless otherwise stated:*

$\mathfrak{sl}(2n+1)$	$\mathfrak{gl}(2n)$	$\mathfrak{sl}(2k+1 2m)$	<table border="1" style="border-collapse: collapse; width: 100%;"> <tr> <td style="padding: 5px;">$\mathfrak{gl}(2k+1 2m+1)$</td> </tr> <tr> <td style="padding: 5px;">$\mathfrak{oo}(2k+1 2m+1)$</td> </tr> </table>	$\mathfrak{gl}(2k+1 2m+1)$	$\mathfrak{oo}(2k+1 2m+1)$	(15.1)
$\mathfrak{gl}(2k+1 2m+1)$						
$\mathfrak{oo}(2k+1 2m+1)$						
$\mathfrak{o}(2n+1)$	$\mathfrak{o}(2n)$	$\mathfrak{oo}(2k+1 2m)$				
$\mathfrak{gl}(n n)$	$\mathfrak{gl}(n n)$	$\mathfrak{gl}(2k 2m)$				
$\mathfrak{q}(n), \sigma = \Pi$	$\mathfrak{pe}(n), \sigma = \Pi \circ (t)$	$\mathfrak{oo}(2k 2m)$				

2) $p = 2$: *The order 2 automorphisms of the orthogonal and ortho-orthogonal series give the following fixed points (recall the definition of $\widehat{\mathfrak{g}}$ in (6.12)):*

$\mathfrak{oo}(\widehat{2; 2k_{\bar{0}} 2k_{\bar{1}}})$ for $k_{\bar{0}} + k_{\bar{1}}$ odd	$\mathfrak{oc}(\widehat{2; 2k})$ for k odd	(15.2)
$\mathfrak{oo}(\widehat{1; 2k_{\bar{0}} 2k_{\bar{1}}})$ for $k_{\bar{0}} + k_{\bar{1}}$ even	$\mathfrak{oc}(\widehat{1; 2k})$ for k even	

3) *The following are the fixed points of order 2 automorphisms of the exceptional Lie (super)algebras for $p = 3$, and also, for $p = 2$, of the periplectic superalgebras, and of order 3 automorphisms of the orthogonal algebra and ortho-orthogonal superalgebras.*

$1\mathfrak{g}(2, 3)$	$2\mathfrak{g}(2, 3)$	$5\mathfrak{g}(2, 3)$	$5\mathfrak{g}(2, 6)$	$2\mathfrak{g}(2, 6)$	$\widehat{\mathfrak{oc}(1; 8)}$	(15.3)
$\mathfrak{psl}(2 2)$	$\mathfrak{sl}(1 2)$	$\mathfrak{osp}(3 2)$	$\mathfrak{g}(1, 6)$	$\mathfrak{g}(1, 6)$	$\mathfrak{gl}(4)$	
$\widehat{\mathfrak{gooc}(1; 4 4)}$	$\widehat{\mathfrak{wooc}(1; 4 4)}$	$\widehat{\mathfrak{gpec}(1; 4)}$	$\widehat{\mathfrak{wpec}(1; 4)}$	$\widehat{\mathfrak{gooc}(2; 6 2)}$	$\widehat{\mathfrak{wooc}(2; 6 2)}$	
$\mathfrak{gl}(2 2)$	$\mathfrak{gl}(2 2)$	$\mathfrak{gl}(1 3)$	$\mathfrak{gl}(1 3)$	$\mathfrak{gl}(2 2)$	$\mathfrak{gl}(2 2)$	

Besides, $\mathfrak{e}(6)^\sigma = \mathfrak{g}(\mathcal{N})$, whereas

$$\begin{aligned} 25\mathfrak{e}(6, 1)^\sigma &\simeq 26\mathfrak{e}(6, 1)^\sigma \simeq 27\mathfrak{e}(6, 1)^\sigma \simeq \\ 1\mathfrak{e}(6, 6)^\sigma &\simeq 7\mathfrak{e}(6, 6)^\sigma \simeq 5\mathfrak{e}(6, 6)^\sigma \simeq 33\mathfrak{e}(6, 6)^\sigma \simeq 8\mathfrak{e}(6, 6)^\sigma \simeq 29\mathfrak{e}(6, 6)^\sigma \simeq \\ 32\mathfrak{e}(6, 6)^\sigma &\simeq 10\mathfrak{e}(6, 6)^\sigma \simeq 14\mathfrak{e}(6, 6)^\sigma \simeq 18\mathfrak{e}(6, 6)^\sigma \simeq 28\mathfrak{e}(6, 6)^\sigma \simeq 36\mathfrak{e}(6, 6)^\sigma \simeq \mathfrak{g}(\mathcal{M}). \end{aligned}$$

16 A realization of $\mathfrak{g} = \mathfrak{so}(4|4)^{(1)}/\mathfrak{c}$

This simple Lie superalgebra \mathfrak{g} admits a realization in which $\mathfrak{g}_0 \simeq \mathfrak{hei}(8) \in \mathbb{K}E$, where $\mathfrak{hei}(8) = \text{Span}(p, q, c)$ with $p = (p_1, \dots, p_4)$, $q = (q_1, \dots, q_4)$, and $E := \sum(p_i \partial_{p_i} + q_i \partial_{q_i})$ and with c being central in \mathfrak{hei} , and in which \mathfrak{g}_1 is a copy of the Fock space (over $\mathfrak{hei}(8)$) considered purely odd, i.e., as $\Pi(\mathbb{K}[p]/(p_1^2, \dots, p_4^2))$. (Obviously, the indeterminates p and q , as well as ξ and η , cf. Section 7.1.1, are interchangeable.)

Indeed, consider the following isomorphism

$$\begin{aligned} \varphi : \Pi(\mathbb{K}[p]/(p_1^2, \dots, p_4^2)) &\longrightarrow \text{Span}(\varphi_0, \dots, \varphi_{1234}), \\ \varphi_0 &:= \Pi(1), \quad \varphi_i := \Pi(p_i), \quad \varphi_{ij} := \Pi(p_i p_j), \quad \dots, \quad \varphi_{1234} := \Pi(p_1 p_2 p_3 p_4). \end{aligned} \quad (16.1)$$

Now the multiplication is given by the following two tables, where $D := c + E$ to save space:

	φ_{1234}	φ_{234}	φ_{134}	φ_{124}	φ_{123}	φ_{34}	φ_{24}	φ_{23}	φ_{14}	φ_{13}	φ_{12}	φ_4	φ_3	φ_2	φ_1	φ_0
φ_{1234}	0	0	0	0	0	0	0	0	0	0	0	p_4	p_3	p_2	p_1	D
φ_{234}	0	0	0	0	0	0	0	0	p_4	p_3	p_2	0	0	0	E	q_1
φ_{134}	0	0	0	0	0	0	p_4	p_3	0	0	p_1	0	0	0	E	q_2
φ_{124}	0	0	0	0	0	p_4	0	p_2	0	p_1	0	0	E	0	0	q_3
φ_{123}	0	0	0	0	0	p_3	p_2	0	p_1	0	0	E	0	0	0	q_4
φ_{34}	0	0	0	p_4	p_3	0	0	0	0	0	D	0	0	q_1	q_2	0
φ_{24}	0	0	p_4	0	p_2	0	0	0	0	D	0	0	q_1	0	q_3	0
φ_{23}	0	0	p_3	p_2	0	0	0	0	D	0	0	q_1	0	0	q_4	0
φ_{14}	0	p_4	0	0	p_1	0	0	D	0	0	0	0	0	q_2	q_3	0
φ_{13}	0	p_3	0	p_1	0	0	D	0	0	0	0	q_2	0	q_4	0	0
φ_{12}	0	p_2	p_1	0	0	D	0	0	0	0	0	q_3	q_4	0	0	0
φ_4	p_4	0	0	0	E	0	0	q_1	0	q_2	q_3	0	0	0	0	0
φ_3	p_3	0	0	E	0	0	q_1	0	q_2	0	q_4	0	0	0	0	0
φ_2	p_2	0	E	0	0	q_1	0	0	q_3	q_4	0	0	0	0	0	0
φ_1	p_1	E	0	0	0	q_2	q_3	q_4	0	0	0	0	0	0	0	0
φ_0	D	q_1	q_2	q_3	q_4	0	0	0	0	0	0	0	0	0	0	0

(16.2)

	c	D	p_1	p_2	p_3	p_4	q_1	q_2	q_3	q_4
φ_0	φ_0	φ_0	φ_1	φ_2	φ_3	φ_4	0	0	0	0
φ_1	φ_1	0	0	φ_{12}	φ_{13}	φ_{14}	φ_0	0	0	0
φ_2	φ_2	0	φ_{12}	0	φ_{23}	φ_{24}	0	φ_0	0	0
φ_3	φ_3	0	φ_{13}	φ_{23}	0	φ_{34}	0	0	φ_0	0
φ_4	φ_4	0	φ_{14}	φ_{24}	φ_{34}	0	0	0	0	φ_0
φ_{12}	φ_{12}	φ_{12}	0	0	φ_{123}	φ_{124}	φ_2	φ_1	0	0
φ_{13}	φ_{13}	φ_{13}	0	φ_{123}	0	φ_{134}	φ_3	0	φ_1	0
φ_{14}	φ_{14}	φ_{14}	0	φ_{124}	φ_{134}	0	φ_4	0	0	φ_1
φ_{23}	φ_{23}	φ_{23}	φ_{123}	0	0	φ_{234}	0	φ_3	φ_2	0
φ_{24}	φ_{24}	φ_{24}	φ_{124}	0	φ_{234}	0	0	φ_4	0	φ_2
φ_{34}	φ_{34}	φ_{34}	φ_{134}	φ_{234}	0	0	0	0	φ_4	φ_3
φ_{123}	φ_{123}	0	0	0	0	φ_{1234}	φ_{23}	φ_{13}	φ_{12}	0
φ_{124}	φ_{124}	0	0	0	φ_{1234}	0	φ_{24}	φ_{14}	0	φ_{12}
φ_{134}	φ_{134}	0	0	φ_{1234}	0	0	φ_{34}	0	φ_{14}	φ_{13}
φ_{234}	φ_{234}	0	φ_{1234}	0	0	0	0	φ_{34}	φ_{24}	φ_{23}
φ_{1234}	φ_{1234}	φ_{1234}	0	0	0	0	φ_{234}	φ_{134}	φ_{124}	φ_{123}

(16.3)

16.1. Remark. If $p = 0$, every irreducible module over a solvable Lie algebra is 1-dimensional. A theorem, based on this fact, states that any Lie superalgebra \mathfrak{g} is solvable if and only if \mathfrak{g}_0 is solvable. The example above shows that if $p > 0$, life is much more interesting.

We were unable to answer: For $2n \neq 8$, is there a simple Lie superalgebra $\mathfrak{G}(2n)$ with $\mathfrak{G}(2n)_0 \simeq \mathfrak{hei}(2n) \in \mathbb{K}E$ and $\mathfrak{G}(2n)_1 \simeq \Pi(\text{Fock module over } \mathfrak{hei}(2n))$? In the next subsection we cite Irina Shchepochkina's answer to this question.

16.2 Shchepochkina's comments. Other simple Lie superalgebras with solvable even part

We consider $\mathfrak{g} = \mathfrak{g}_{\bar{0}} \oplus \mathfrak{g}_{\bar{1}}$, where

$$\mathfrak{g}_{\bar{0}} = \mathfrak{hei}(2n) \in \mathbb{K} \cdot E = \text{Span}(p_1, \dots, p_n, q_1, \dots, q_n, c, E), \quad \text{with } c \text{ central,}$$

i.e.,

$$[p_i, q_j] = \delta_{ij}c, \quad [E, p_i] = p_i, \quad [E, q_i] = q_i,$$

and $\mathfrak{g}_{\bar{1}} = \Pi(\Lambda(p_1, \dots, p_n))$. The Lie algebra $\mathfrak{hei}(2n)$ acts in $\mathfrak{g}_{\bar{1}}$ as in the Fock space:

$$\text{ad}_c |_{\mathfrak{g}_{\bar{1}}} = \text{id}_{\mathfrak{g}_{\bar{1}}}, \quad \text{ad}_{p_i} |_{\mathfrak{g}_{\bar{1}}} = p_i \cdot, \quad \text{ad}_{q_i} |_{\mathfrak{g}_{\bar{1}}} = \partial_{p_i}.$$

The space $\mathfrak{g}_{\bar{1}}$ is spanned by $\varphi_0 := 1$, and $\varphi_{i_1 \dots i_k} := \Pi(p_{i_1} \dots p_{i_k})$ for all sets I of distinct indices. For any I , let I^* denote the complementary set to $\{1, \dots, n\}$. For clarity, we set $\varphi_I^* = \varphi_{I^*}$.

How can the operator E act in $\mathfrak{g}_{\bar{1}}$? Let us begin with $E\varphi_0$:

$$[q_i, E\varphi_0] = [[q_i, E], \varphi_0] + [E, [q_i, \varphi_0]] = 0 \quad \text{for all } i.$$

But there is only one (up to a constant factor) element in $\mathfrak{g}_{\bar{1}}$ annihilated by all the q_i , namely φ_0 . Hence $E\varphi_0 = \lambda \cdot \varphi_0$.

Since $\mathfrak{g}_{\bar{1}}$ is generated from φ_0 under the action of operators p_i of weight 1 with respect to E , the action of E on the monomial φ is of the form:

$$E\varphi = (\lambda + \deg \varphi)\varphi, \quad \text{i.e.,} \quad \text{ad}_E |_{\mathfrak{g}_{\bar{1}}} = \lambda \cdot \text{id}_{\mathfrak{g}_{\bar{1}}} + \text{deg}.$$

Replacing E by $E + \lambda \cdot c$ (this does not affect the commutation relations in $\mathfrak{g}_{\bar{0}}$), we may assume that $\text{ad}_E |_{\mathfrak{g}_{\bar{1}}} = \text{deg}$.

Let us try to define the bracket on $\mathfrak{g}_{\bar{1}}$. I claim that it suffices to determine the only bracket (determine x)

$$x = [\varphi_0, \varphi_0^*].$$

Everything else follows from the Jacobi identity. Indeed,

$$[\varphi_0, \varphi_i^*] = [\varphi_0, [q_i, \varphi_0^*]] = [[\varphi_0, q_i], \varphi_0^*] + [q_i, [\varphi_0, \varphi_0^*]] = [q_i, x],$$

and the inverse induction on the degree of monomials φ yields all the brackets $[\varphi_0, \varphi]$:

$$[\varphi_0, \varphi_{I \cup i}^*] = [\varphi_0, [q_i, \varphi_I^*]] = [[\varphi_0, q_i], \varphi_I^*] + [q_i, [\varphi_0, \varphi_I^*]] = [q_i, [\varphi_0, \varphi_I^*]]. \quad (16.4)$$

If we know the brackets of a monomial ψ with all monomials of the form φ , we can recover the brackets of the form $[p_i \cdot \psi, \varphi]$:

$$[p_i \cdot \psi, \varphi] = [[p_i, \psi], \varphi] = [p_i, [\psi, \varphi]] + [\psi, [p_i, \varphi]]. \quad (16.5)$$

Thus, by the induction on the degree of ψ we recover all the brackets from the brackets of the form $[\varphi_0, \varphi]$. Equations (16.4)–(16.5) imply that $[\mathfrak{g}_{\bar{1}}, \mathfrak{g}_{\bar{1}}] \subset \mathfrak{g}'_0 + \mathbb{K} \cdot x$, where $\mathfrak{g}'_0 := [\mathfrak{g}_{\bar{0}}, \mathfrak{g}_{\bar{0}}]$.

For \mathfrak{g} to be simple, we should have $[\mathfrak{g}_{\bar{1}}, \mathfrak{g}_{\bar{1}}] = \mathfrak{g}_0$, i.e., $x \notin \mathfrak{g}'_0$. But φ_0 and φ_0^* are eigenvectors of the operator E of weight 0 and n , respectively. Hence their bracket, x , is an eigenvector of weight n and, since x should have a non-zero projection to E , the number n must be even:

$$x = \alpha \cdot E + \beta \cdot c, \quad \text{where } \alpha \neq 0.$$

Note that we have one more degree of freedom: We can multiply all elements of $\mathfrak{g}_{\bar{1}}$ by the same non-zero scalar. This helps us to fix $\alpha = 1$. Thus, $x = E + \beta \cdot c$.

Now, using equations (16.4)–(16.5) we can recover the general formula for the bracket in $\mathfrak{g}_{\bar{1}}$. I claim that it is of the following beautiful form

$$[f, g] = c \int (\text{ad}_E(f)g) + (E + \beta c) \int (\text{ad}_c(f)g) + \sum \left(p_i \int (\text{ad}_{q_i}(f)g) + q_i \int (\text{ad}_{p_i}(f)g) \right), \quad (16.6)$$

where \int is the Berezin integral = the coefficient of the highest term (once the basis of the Grassmann algebra is chosen). To see this, it suffices to verify that (16.6) is invariant with respect to ad_{q_i} and ad_{p_i} (the invariance with respect to ad_c and ad_E is obvious).

Here comes an incomplete argument. It remains to verify the Jacobi identity only for triples of odd elements, moreover, it suffices to check it only for triples of the form $\varphi_0, \varphi_0^*, \varphi$. We have

$$[[\varphi_0, \varphi_0^*], \varphi] = (E + \beta \cdot c)\varphi = (\deg \varphi + \beta)\varphi. \quad (16.7)$$

What can one say about the sum

$$[[\varphi_0, \varphi], \varphi_0^*] + [\varphi_0, [\varphi_0^*, \varphi]]? \quad (16.8)$$

Observe that the first summand can only be non-zero if $\varphi = \varphi_0^*$ or φ_i^* , the second summand can only be non-zero if $\varphi = \varphi_0$ or φ_i .

For $\varphi = \varphi_0^*$ and $\varphi = \varphi_0$, the Jacobi identity holds for any β , whereas for $\varphi = \varphi_i^*$ and $\varphi = \varphi_i$ only if $\beta = 1$ for $n = 2$ and $\beta = 0$ for $n > 2$.

For $n = 2$, the above-listed possibilities exhaust all possible values of φ .

For $n = 4$, there are also elements $\varphi = \varphi_{ij}$ yielding 0 in both formulas. However, for $n > 4$ and $\varphi = \varphi_{123}$, equation (16.7) yields φ_{123} , whereas equation (16.8) yields 0, so there is no Lie superalgebra.

Thus, for $n = 2$, one may have a Lie superalgebra $\mathfrak{G}(4)$ with brackets of its odd elements (the squares of each odd element being 0)

$$[\varphi_1, \varphi_2] = E, \quad [\varphi_0, \varphi_{12}] = E + c, \quad (16.9)$$

where in the right hand sides stand the elements that act on the odd part of the hypothetical Lie superalgebra $\mathfrak{G}(4)$ as in (16.3), i.e., E counts the degree of the element of the Grassmann algebra; the other bracket being defined similar to (16.2):

$$[\varphi_i, \varphi_{12}] = p_i, \quad [\varphi_0, \varphi_1] = q_2, \quad [\varphi_0, \varphi_2] = q_1, \quad (16.10)$$

the element p_i acts on $\mathfrak{G}(4)_{\bar{1}}$ as the multiplication by p_i (i.e., $[p_i, \varphi_0] = \varphi_i$, $[p_i, \varphi_j] = \varphi_{ij}$ and so on), and q_i as ∂_{p_i} .

Here comes the complete argument: In the above argument we forgot that the Jacobi identity for $p = 2$ and odd elements is of the form (3.3), not of the usual form $[x, [x, x]] = 0$. And taking $x = \varphi_0$, $y = p_1$ we fail to satisfy the Jacobi identity although it is so tempting to set

$$x_1 := q_1, \quad x_2 := \varphi_1, \quad y_1 := p_1, \quad y_2 := \varphi_2$$

and (correctly) deduce that the relations between these x 's and y 's yield the same Cartan matrix of $\mathfrak{G}(4)$ as that of $\mathfrak{so}_{\text{III}}^{(1)}(1|4)$. However, due to squaring the space of $\mathfrak{G}(4)$ is not a Lie superalgebra.

There are, however, simple Lie superalgebras with solvable even part other than $\mathfrak{so}_{\text{III}}^{(1)}(4|4)/c$. Indeed, we know that the Lie algebras $\mathfrak{o}_{\text{I}}^{(1)}(n)$ are solvable (only) for $n = 1$ and 2, and $\mathfrak{o}_{\text{II}}(n)$ are solvable (only) for $n = 2$ and 4. Therefore the Lie superalgebras

$$\begin{aligned} & \mathfrak{so}_{\text{II}}^{(1)}(1|2), \quad \mathfrak{so}_{\text{III}}^{(1)}(1|2), \quad \mathfrak{so}_{\text{II}}^{(1)}(2|2), \quad \mathfrak{so}_{\text{III}}^{(1)}(2|2), \\ & \mathfrak{so}_{\text{III}}^{(1)}(2|4), \quad \mathfrak{so}_{\text{III}}^{(2)}(2|4), \quad \mathfrak{so}_{\text{III}}^{(1)}(4|4), \end{aligned} \quad (16.11)$$

though simple (perhaps, modulo center), have solvable even parts. One can not get a simple Lie superalgebra from $\mathfrak{oo}_{\text{III}}^{(1)}(2|2)$ passing to derived and factorizing.

Acknowledgements

We are very thankful to A. Lebedev for help (he not only clarified the notion of $\mathfrak{g}(A)$ and roots, but also helped us to figure out the structure of $\mathfrak{g}(A)$ in the most complicated cases and elucidate the notion of p -structure, he also listed inequivalent Cartan matrices for the \mathfrak{e} -cases) and to I. Shchepochkina for her contribution. We thank A. Protopopov for his help with our graphics, see [43]. Constructive criticism of referees is most thankfully acknowledged; the paper is much clearer now.

References

- [1] Benkart G., Gregory Th., Premet A., The recognition theorem for graded Lie algebras in prime characteristic, *Mem. Amer. Math. Soc.* **197** (2009), no. 920, [math.RA/0508373](#).
- [2] Bouarroudj S., Grozman P., Lebedev A., Leites D., Divided power (co)homology. Presentations of simple finite dimensional modular Lie superalgebras with Cartan matrix, in preparation.
- [3] Bouarroudj S., Grozman P., Leites D., Cartan matrices and presentations of Elduque and Cunha simple Lie superalgebras, see [37], [math.RT/0611391](#).
- [4] Bouarroudj S., Grozman P., Leites D., Cartan matrices and presentations of the exceptional simple Elduque Lie superalgebra, see [37], [math.RT/0611392](#).
- [5] Bouarroudj S., Grozman P., Leites D., New simple modular Lie superalgebras as generalized prolongations, *Funktional. Anal. i Prilozhen.* **42** (2008), no. 3, 1–9 (English transl.: *Funct. Anal. Appl.* **42** (2008), no. 3, 161–168, [math.RT/0704.0130](#)).
- [6] Bouarroudj S., Grozman P., Leites D., Deformations of the simple symmetric modular Lie superalgebras, see [37], in preparation.
- [7] Bouarroudj S., Grozman P., Leites D., New simple modular Lie algebras in characteristic 2 as generalized prolongs, in preparation.
- [8] Bourbaki N., Lie groups and Lie algebras, Chapters 4–6, Translated from the 1968 French original by Andrew Pressley, *Elements of Mathematics (Berlin)*, Springer-Verlag, Berlin, 2002.
- [9] Brown G., Properties of a 29-dimensional simple Lie algebra of characteristic three, *Math. Ann.* **261** (1982), 487–492.
- [10] Cartan É., Über die einfachen Transformationsgruppen, *Leipziger Berichte* (1893), 395–420, Reprinted in *Œuvres complètes, Partie II (French)* [Complete works. Part II], Algèbre, systèmes différentiels et problèmes d'équivalence, Éditions du Centre National de la Recherche Scientifique (CNRS), Paris, 1984.
- [11] Chapovalov D., Chapovalov M., Lebedev A., Leites D., The classification of almost affine (hyperbolic) Lie superalgebras, *J. Nonlinear Math. Phys.*, to appear, [arXiv:0906.1860](#).
- [12] Cohen A.M., Roozmond D.A., Computing Chevalley bases in small characteristics, [arXiv:0901.1717](#).
- [13] Cunha I., Elduque A., An extended Freudenthal magic square in characteristic 3, *J. Algebra* **317** (2007), 471–509, [math.RA/0605379](#).
- [14] Cunha I., Elduque A., The extended Freudenthal magic square and Jordan algebras, *Manuscripta Math.* **123** (2007), 325–351, [math.RA/0608191](#).
- [15] Djoković D.Ž., Hochschild G., Semisimplicity of 2-graded Lie algebras. II, *Illinois J. Math.* **20** (1976), 134–143.
Djoković D.Ž., Classification of some 2-graded Lie algebras, *J. Pure Appl. Algebra* **7** (1976), 217–230.
Djoković D.Ž., Isomorphism of some simple 2-graded Lie algebras, *Canad. J. Math.* **29** (1977), 289–294.
- [16] Dzhumadil'daev A., 10-commutators, 13-commutators, and odd derivations, *J. Nonlinear Math. Phys.* **15** (2008), 87–103, [math-ph/0603054](#).
- [17] Elduque A., New simple Lie superalgebras in characteristic 3, *J. Algebra* **296** (2006), 196–233, [math.RA/0412395](#).

- [18] Elduque A., Some new simple modular Lie superalgebras, *Pacific J. Math.* **231** (2007), 337–359, [math.RA/0512654](https://arxiv.org/abs/math.RA/0512654).
- [19] Elduque A., Models of some simple modular Lie superalgebras, *Pacific J. Math.* **240** (2009), 49–83, [arXiv:0805.1304](https://arxiv.org/abs/0805.1304).
- [20] Feigin B., Leites D., Serganova V., Kac–Moody superalgebras, in *Group-Theoretical Methods in Physics* (Zvenigorod, 1982), Editors M. Markov et al., Nauka, Moscow, 1983, Vol. 1, 274–278 (English transl.: Harwood Academic Publ., Chur, 1985, Vols. 1–3, 631–637).
- [21] Frappat L., Sciarrino A., Sorba P., *Dictionary on Lie Superalgebras*, with 1 CD-ROM (Windows, Macintosh and UNIX), Academic Press, Inc., San Diego, CA, 2000, [hep-th/9607161](https://arxiv.org/abs/hep-th/9607161).
- [22] Freund P., Kaplansky I., Simple supersymmetries, *J. Math. Phys.* **17** (1976), 228–231.
- [23] Frohardt D., Griess R.L. Jr., Automorphisms of modular Lie algebras, *Nova J. Algebra Geom.* **1** (1992), 339–345.
- [24] Fulton W., Harris J., *Representation theory. A first course*, *Graduate Texts in Mathematics*, Vol. 129, Readings in Mathematics, Springer-Verlag, New York, 1991.
- [25] Grozman P., SuperLie, <http://www.equonline.com/math/SuperLie>.
- [26] Hoyt C., Serganova V., Classification of finite-growth general Kac–Moody superalgebras, *Comm. Algebra* **35** (2007), 851–874, [arXiv:0810.2637](https://arxiv.org/abs/0810.2637).
- [27] Jacobson N., *Lie algebras*, Dover Publications, Inc., New York, 1979.
- [28] Kac V.G., *Infinite-dimensional Lie algebras*, 3rd ed., Cambridge University Press, Cambridge, 1990.
- [29] Kac V.G., Lie superalgebras, *Adv. Math.* **26** (1977), 8–96.
- [30] Kac V.G., Corrections to: “Exponentials in Lie algebras of characteristic p ” [*Izv. Akad. Nauk SSSR* **35** (1971), no. 4, 762–788] by B. Yu. Veisfeiler and V.G. Kac, *Izv. Ross. Akad. Nauk Ser. Mat.* **58** (1994), no. 4, 224 (English transl.: *Russian Acad. Sci. Izv. Math.* **45** (1995), no. 1, 229).
- [31] Kaplansky I., *Graded Lie algebras*, Preprints, University of Chicago, Chicago, 1975, available at <http://justpasha.org/math/links/subj/lie/kaplansky>.
- [32] Kaplansky I., Superalgebras, *Pacific J. Math.* **86** (1980), 93–98.
- [33] Kochetkov Yu., Leites D., Simple finite dimensional Lie algebras in characteristic 2 related to superalgebras and on a notion of finite simple group, in *Proceedings of the International Conference on Algebra* (Novosibirsk, August 1989), Editors L.A. Bokut, Yu.L. Ershov and A.I. Kostrikin, *Contemp. Math.*, Vol. 131, Part 2, Amer. Math. Soc., Providence, RI, 1992, 59–67.
- [34] Lebedev A., Non-degenerate bilinear forms in characteristic 2, related contact forms, simple Lie algebras and superalgebras, [math.AC/0601536](https://arxiv.org/abs/math.AC/0601536).
- [35] Leites D., Towards classification of simple finite dimensional modular Lie superalgebras in characteristic p , *J. Prime Res. Math.* **3** (2007), 101–110, [arXiv:0710.5638](https://arxiv.org/abs/0710.5638).
- [36] Leites D. (Editor), *Seminar on Supermanifolds*, Reports of the Department of Mathematics of Stockholm University, nn. 1–34, 1986–1990, 2100 pages (a version in Russian is to appear in MCCME, 2009; a version in English in preparation).
- [37] Leites D. (Editor), *Representation theory, Vol. 2: Nonholonomic distributions in representation theory. Quest for simple modular Lie algebras* (S. Bouarroudj, B. Clarke, P. Grozman, A. Lebedev, D. Leites, I. Shchepochkina), A. Salam School of Mathematical Sciences, Lahore, 2009.
- [38] Leites D., Saveliev M. V., Serganova V.V., Embeddings of $\mathfrak{osp}(N|2)$ and completely integrable systems, in *Proceedings of International Seminar Group-Theoretical Methods in Physics* (Yurmala, May 1985), Editors V. Dodonov and V. Man’ko, Nauka, Moscow, 1986, 377–394 (an enlarged version in English is published by VNU Sci Press, 1986, 255–297).
- [39] Leites D., Shchepochkina I., Classification of simple Lie superalgebras of vector fields, preprint MPIM-2003-28, available at <http://www.mpim-bonn.mpg.de>.
- [40] Leites D., Shchepochkina I., How the antibracket should be quantized?, *Teoret. Mat. Fiz.* **126** (2001), 339–369 (English transl.: *Theoret. and Math. Phys.* **126** (2001), 281–306), [math-ph/0510048](https://arxiv.org/abs/math-ph/0510048).
- [41] Onishchik A.L., Vinberg È.B., *Lie groups and algebraic groups*, Translated from the Russian and with a preface by D.A. Leites, *Springer Series in Soviet Mathematics*, Springer-Verlag, Berlin, 1990.
- [42] Premet A., Strade H., Simple Lie algebras of small characteristic VI. Completion of the classification, [arXiv:0711.2899](https://arxiv.org/abs/0711.2899).

-
- [43] <ftp.mccme.ru/users/protopopov/dyno>
- [44] Ray U., Automorphic forms and Lie superalgebras, *Algebras and Applications*, Vol. 5, Springer, Dordrecht, 2006.
- [45] Nahm W., Rittenberg V., Scheunert M., The classification of graded Lie algebras, *Phys. Lett. B* **61** (1976), 383–384.
Scheunert M., Nahm W., Rittenberg V., Classification of all simple graded Lie algebras whose Lie algebra is reductive. I, *J. Math. Phys.* **17** (1976), 1626–1639.
Scheunert M., Nahm W., Rittenberg V., Classification of all simple graded Lie algebras whose Lie algebra is reductive. II. Construction of the exceptional algebras, *J. Math. Phys.* **17** (1976), 1640–1644.
- [46] Sergeev A., Orthogonal polynomials and Lie superalgebras, <math.RT/9810110>.
- [47] Serganova V., Automorphisms of simple Lie superalgebras, *Izv. Akad. Nauk SSSR Ser. Mat.* **48** (1984), 585–598 (English transl.: *Math. USSR-Izv.* **24** (1985), 539–551).
- [48] Serganova V., On generalizations of root systems, *Comm. Algebra* **24** (1996), 4281–4299.
- [49] Shchepochkina I., How to realize Lie algebras by vector fields, *Teoret. Mat. Fiz.* **147** (2006), 450–469 (English transl.: *Theoret. and Math. Phys.* **147** (2006), 821–838), <math.RT/0509472>.
- [50] Skryabin S.M., A contragredient 29-dimensional Lie algebra of characteristic 3, *Sibirsk. Mat. Zh.* **34** (1993), no. 3, 171–178 (English transl.: *Siberian Math. J.* **34** (1993), no. 3, 548–554).
- [51] Steinberg R., Lectures on Chevalley groups, Notes prepared by John Faulkner and Robert Wilson, Yale University, New Haven, Conn., 1968.
- [52] Strade H., Simple Lie algebras over fields of positive characteristic. I. Structure theory, *de Gruyter Expositions in Mathematics*, Vol. 38, Walter de Gruyter & Co., Berlin, 2004.
- [53] van de Leur J., A classification of contragredient Lie superalgebras of finite growth, *Comm. Algebra* **17** (1989), 1815–1841.
- [54] Weisfeiler B.Ju., Kac V.G., Exponentials in Lie algebras of characteristic p , *Izv. Akad. Nauk SSSR Ser. Mat.* **35** (1971), 762–788 (in Russian).